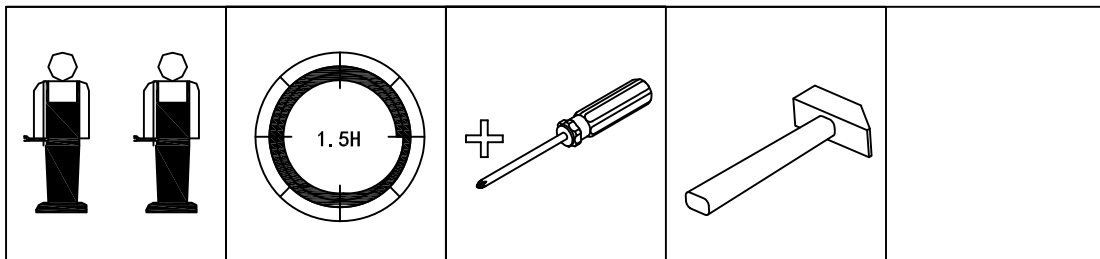
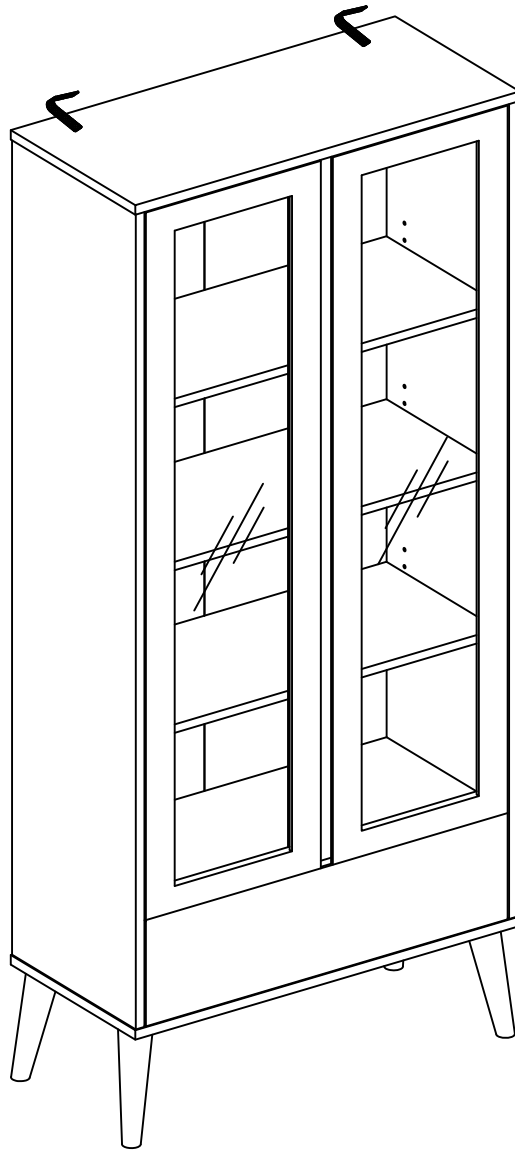
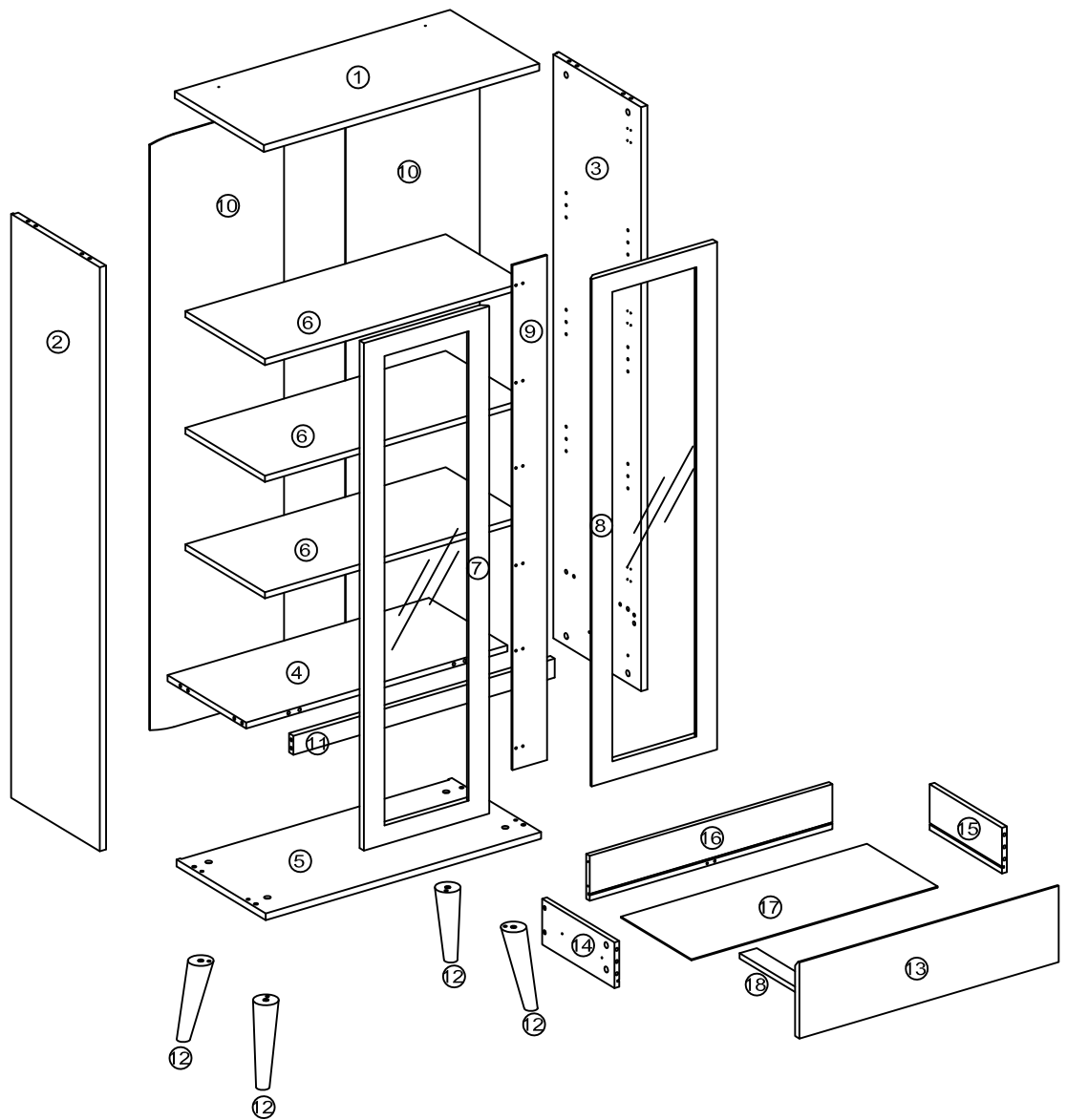
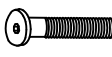
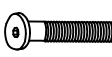











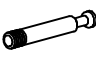
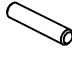





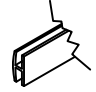



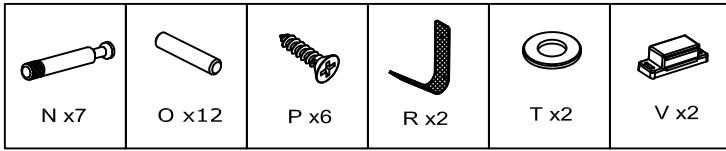


Nagano

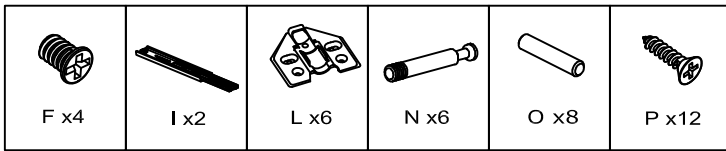
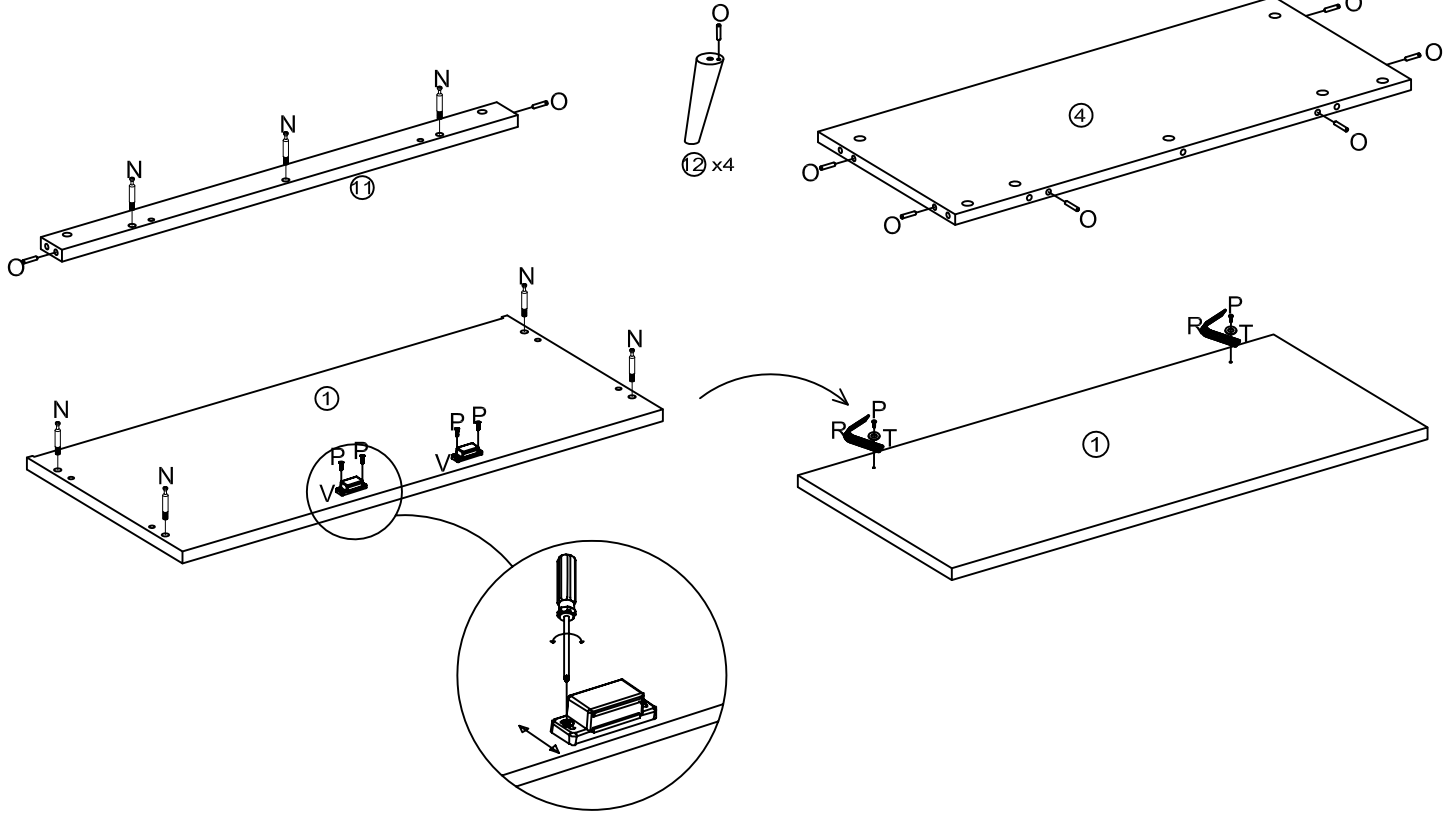




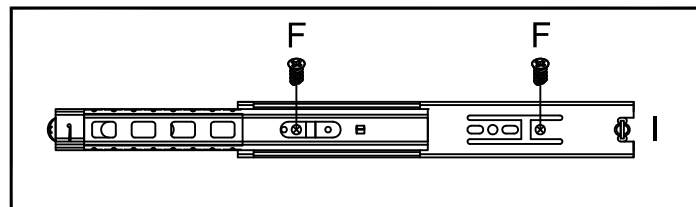
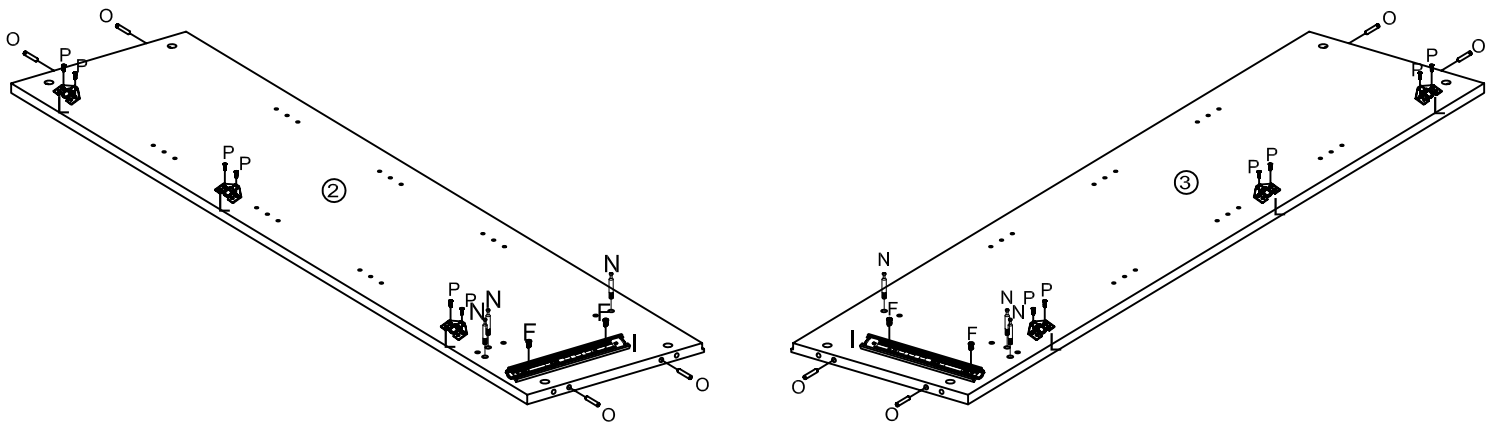
 A x4 Ø6*50	 B x4 Ø6*40	 C x4 M6	 D x4 Ø10*12	 E x1 4mm	 F x4 Ø6*8	 G x12 Ø6	 H x40 Ø1.2*20	 I x2 250mm	 J x2 250mm
 K x6	 L x6	 M x18 Ø15*12	 N x18 Ø6.5*43	 O x23 Ø8*30	 P x56 Ø3.5*16	 Q x6 Ø4*35	 R x2 150mm	 S x4 Ø6/Ø16	 T x2 Ø4/Ø12
 U x1 1532mm*15	 V x2	 W x2	 X x12 Ø3.5*16						



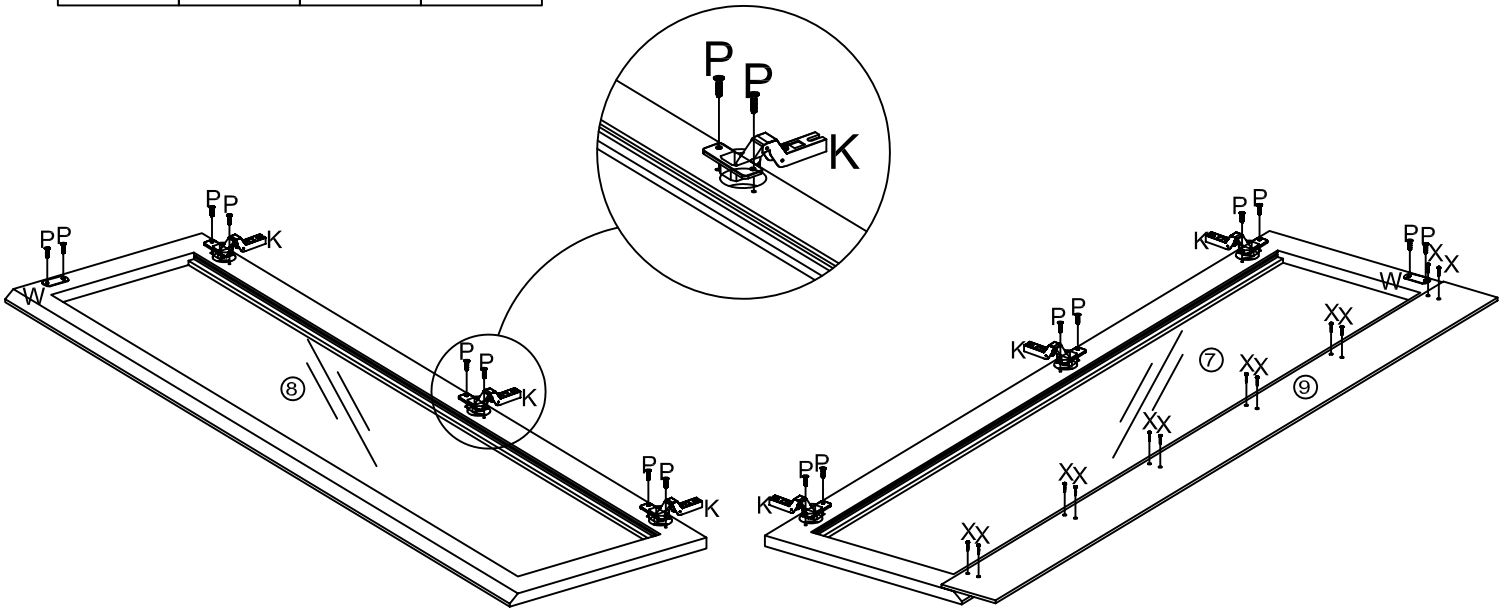
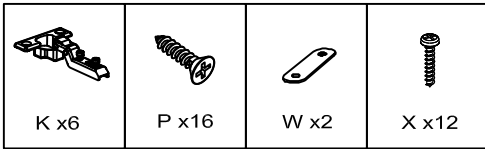
1



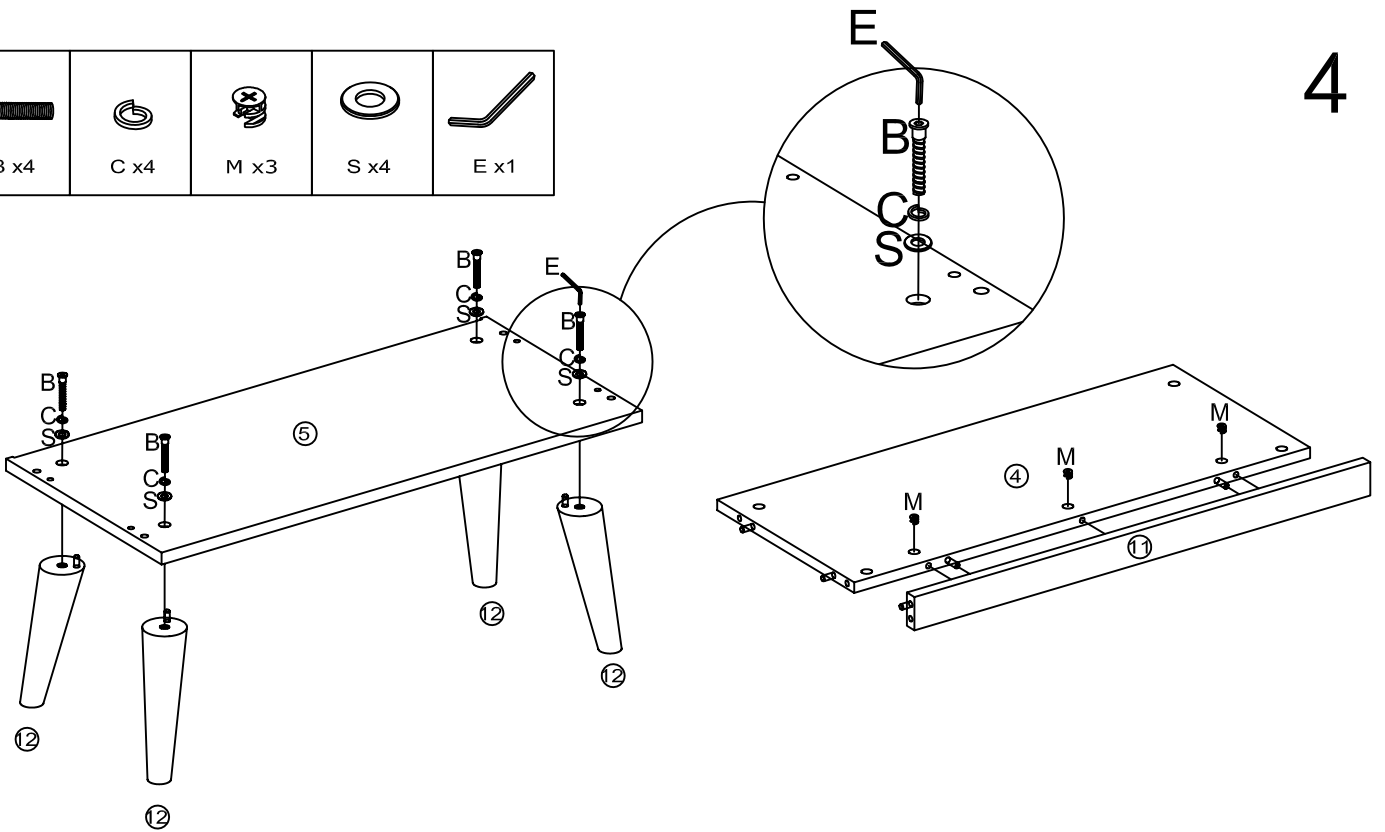
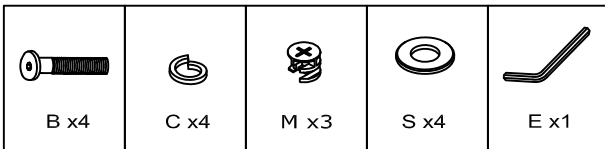
2



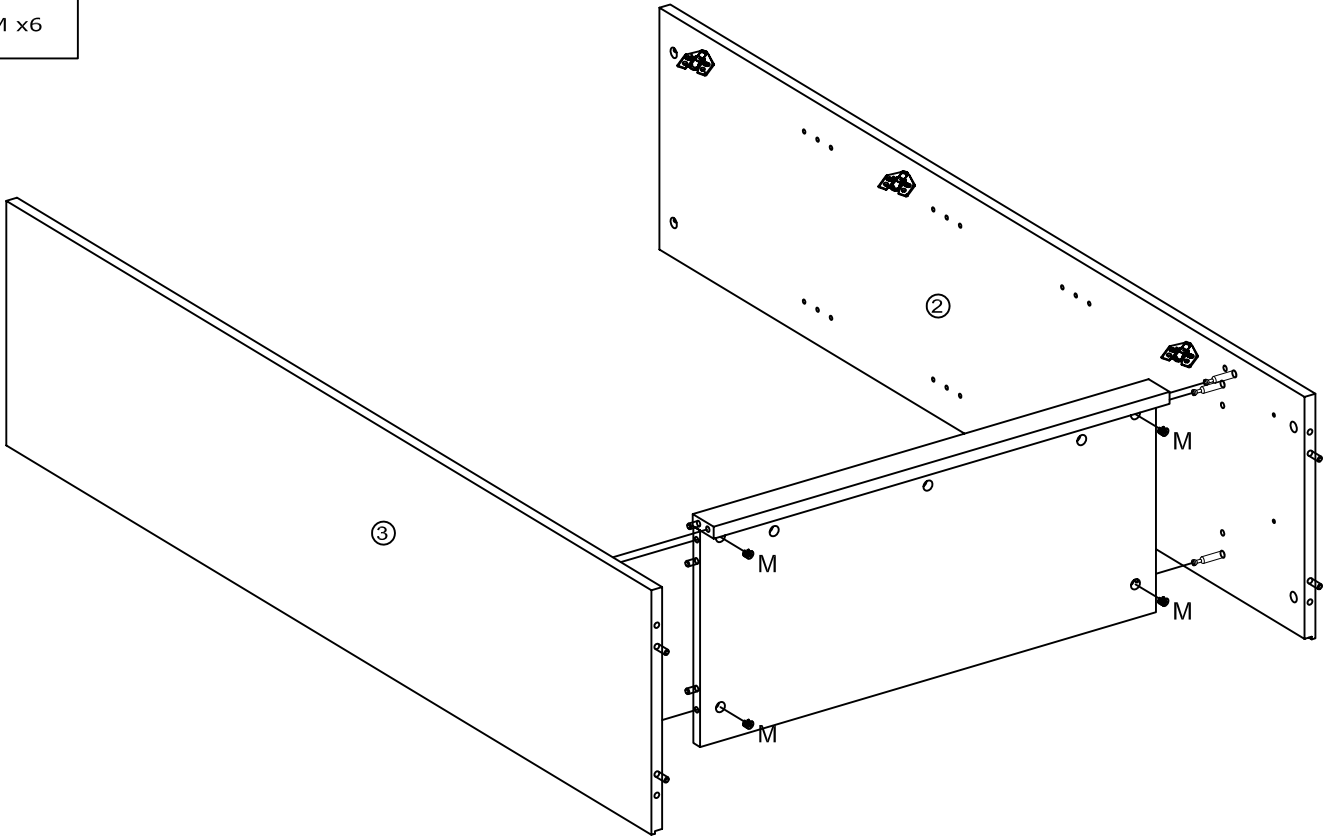
3



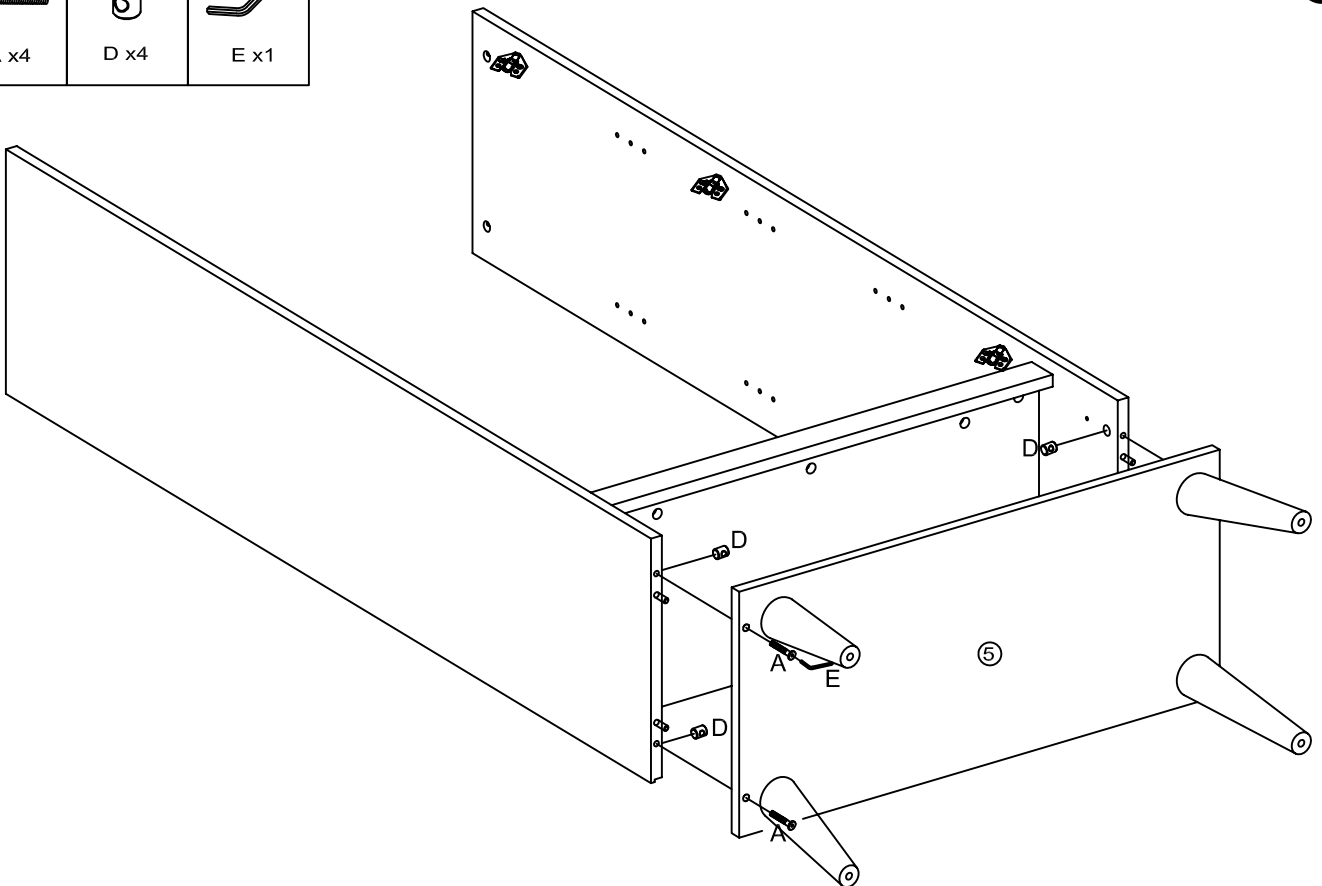
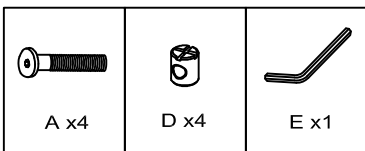
4

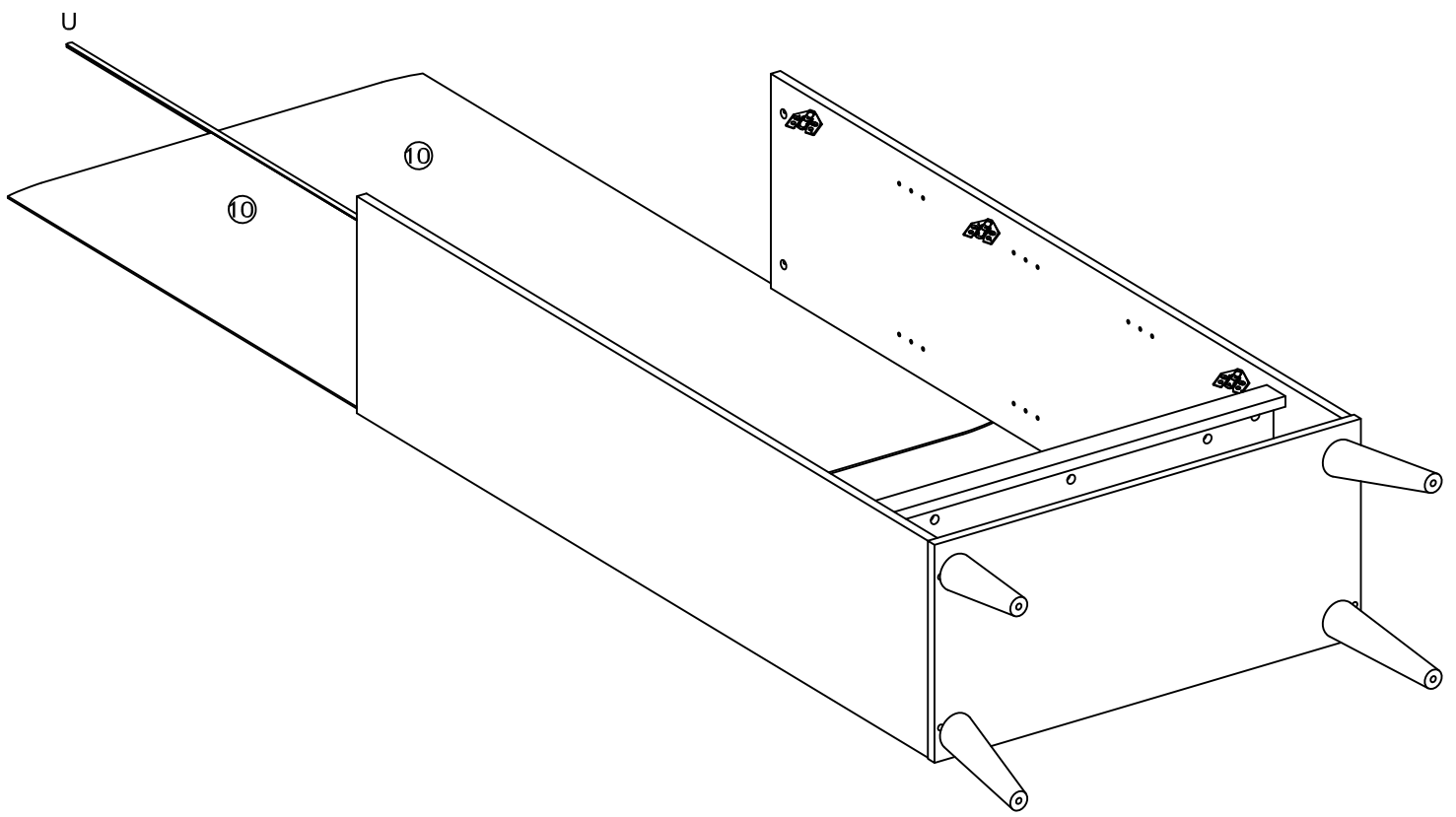
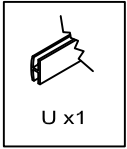


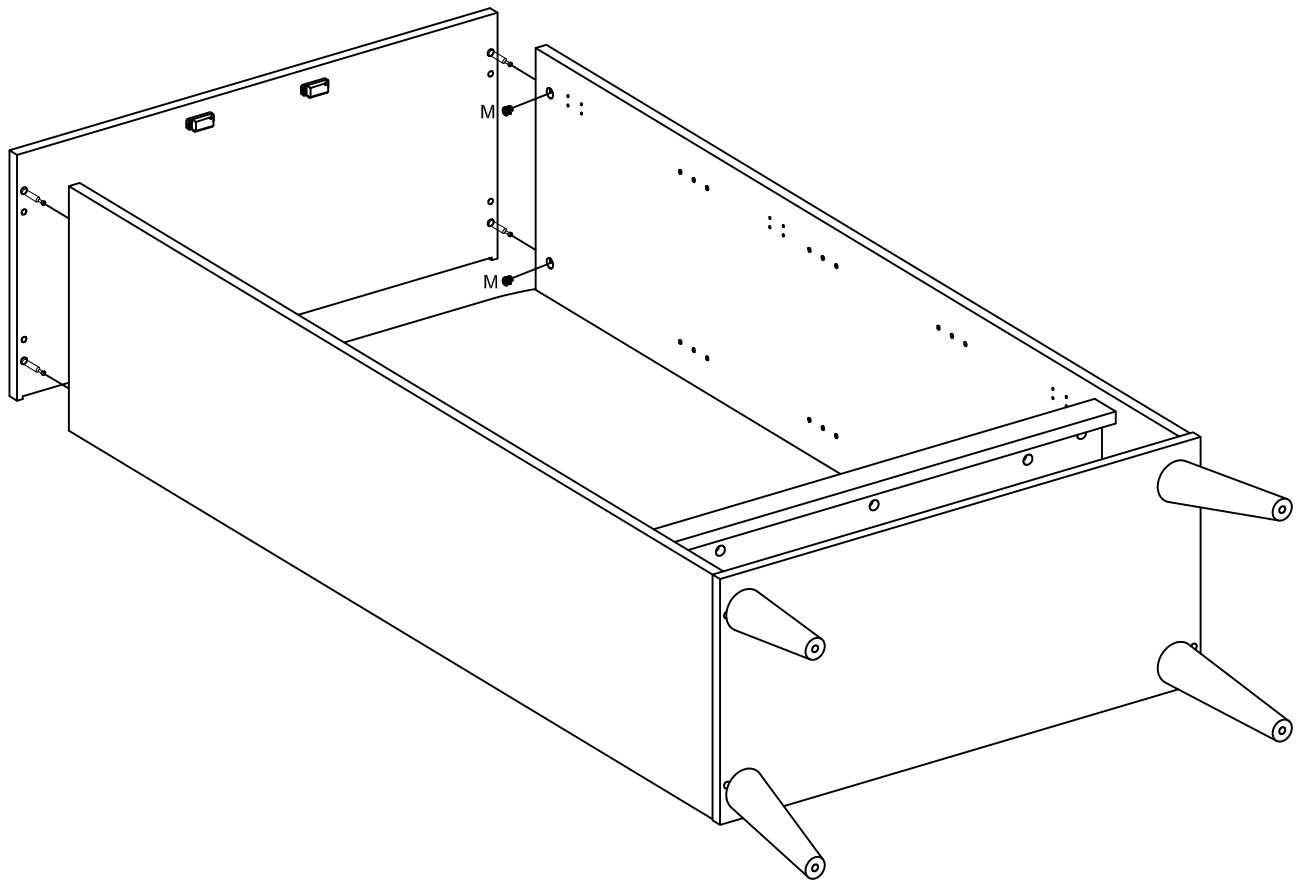
5

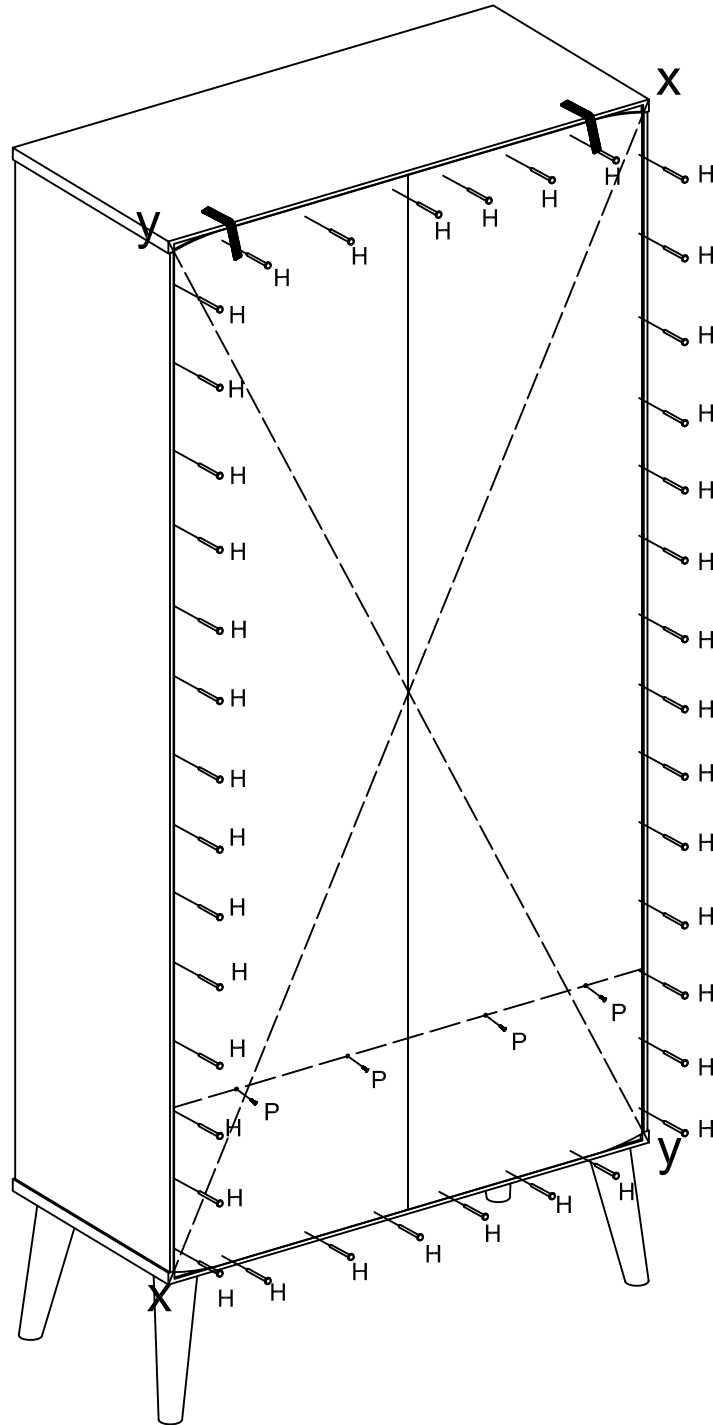
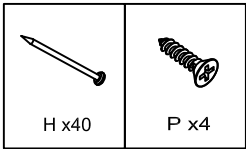


6

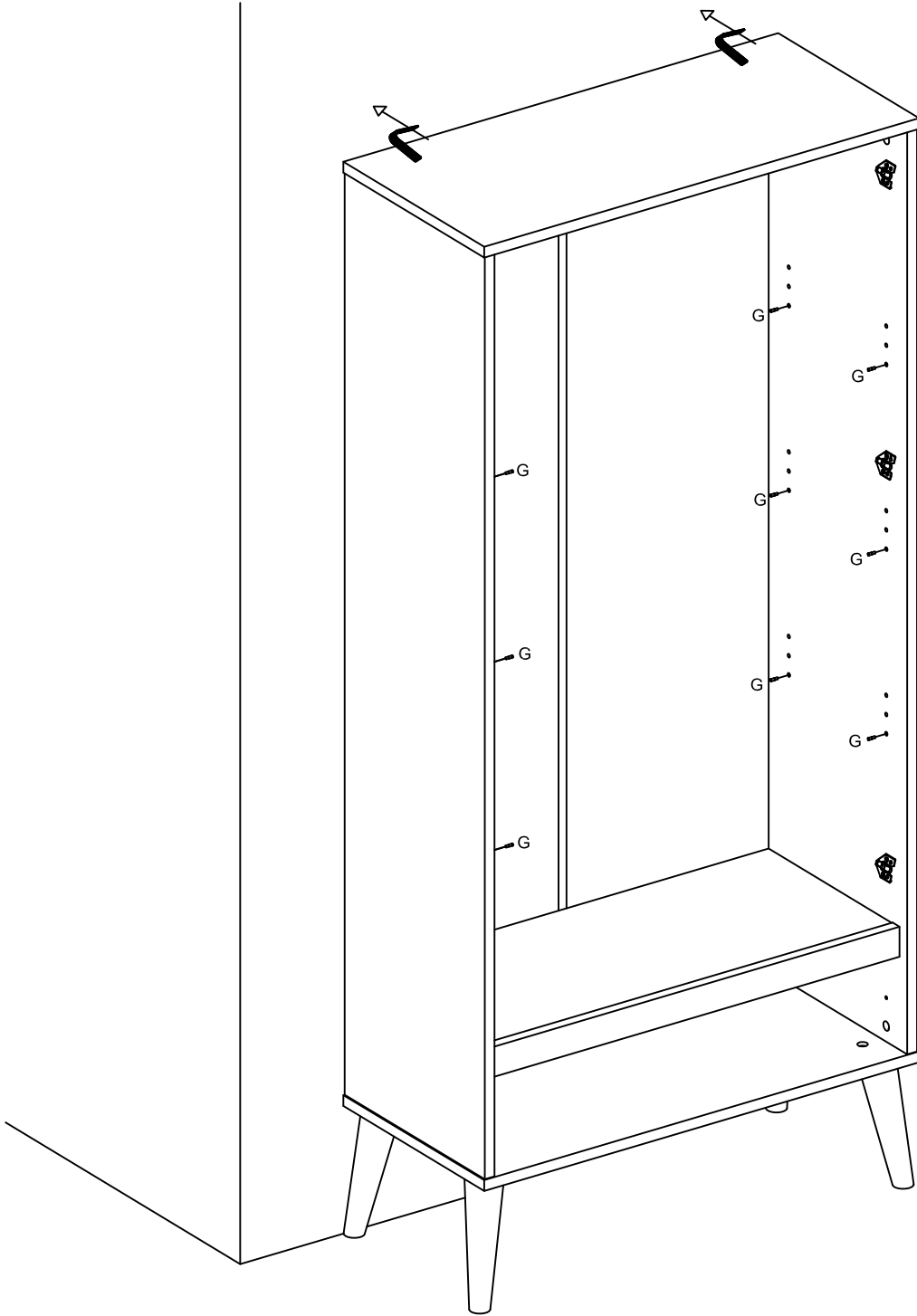
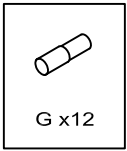


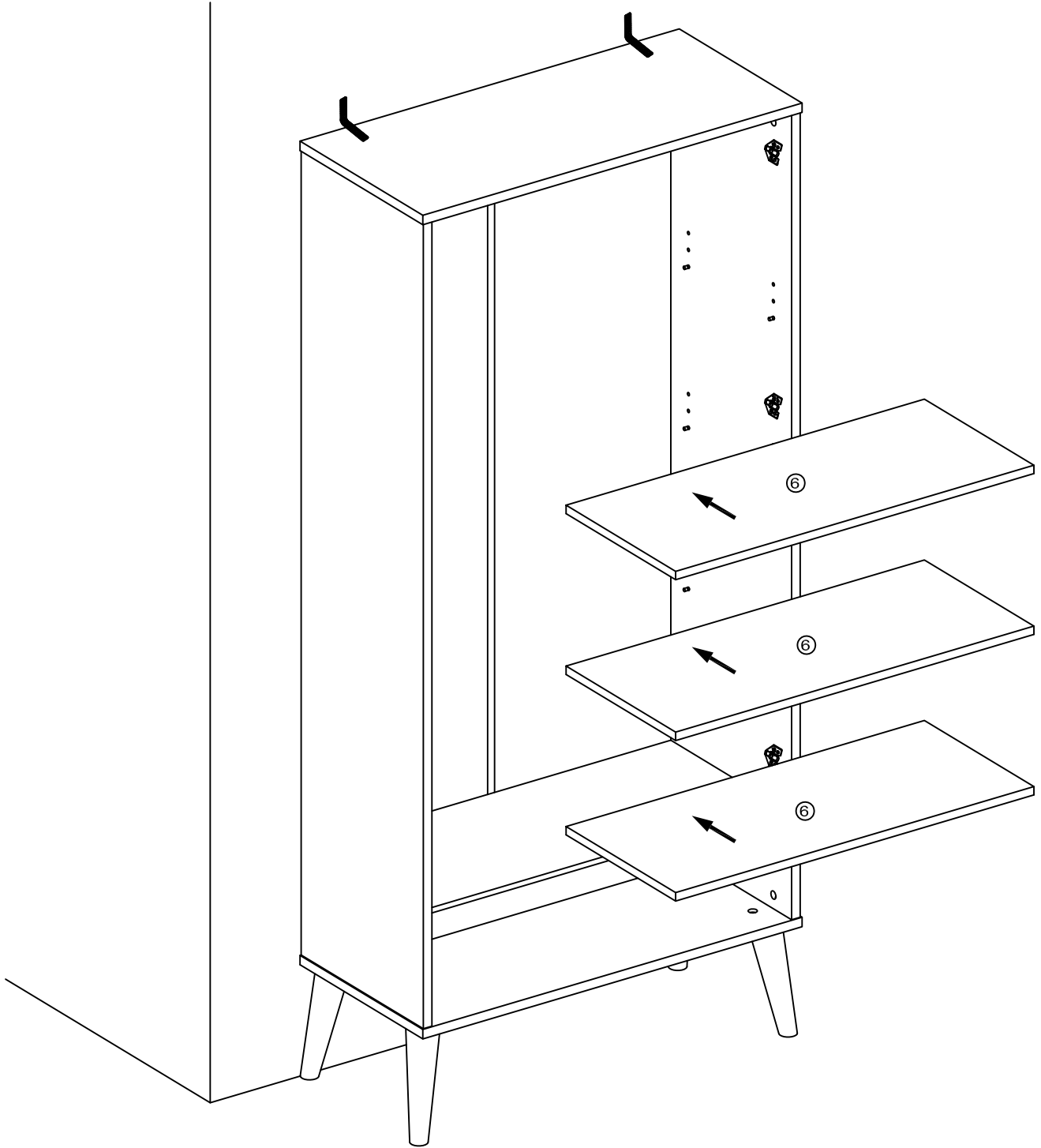


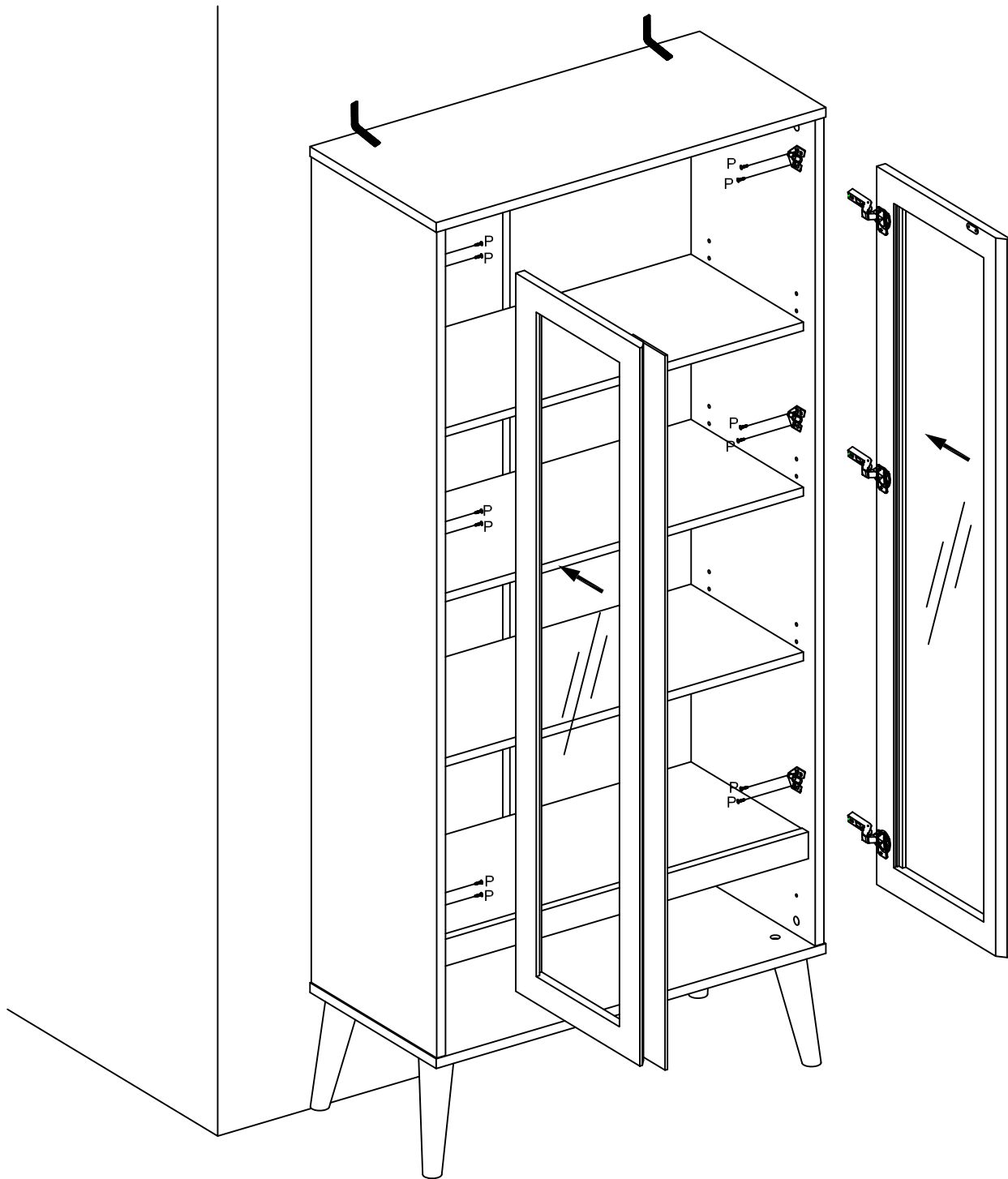


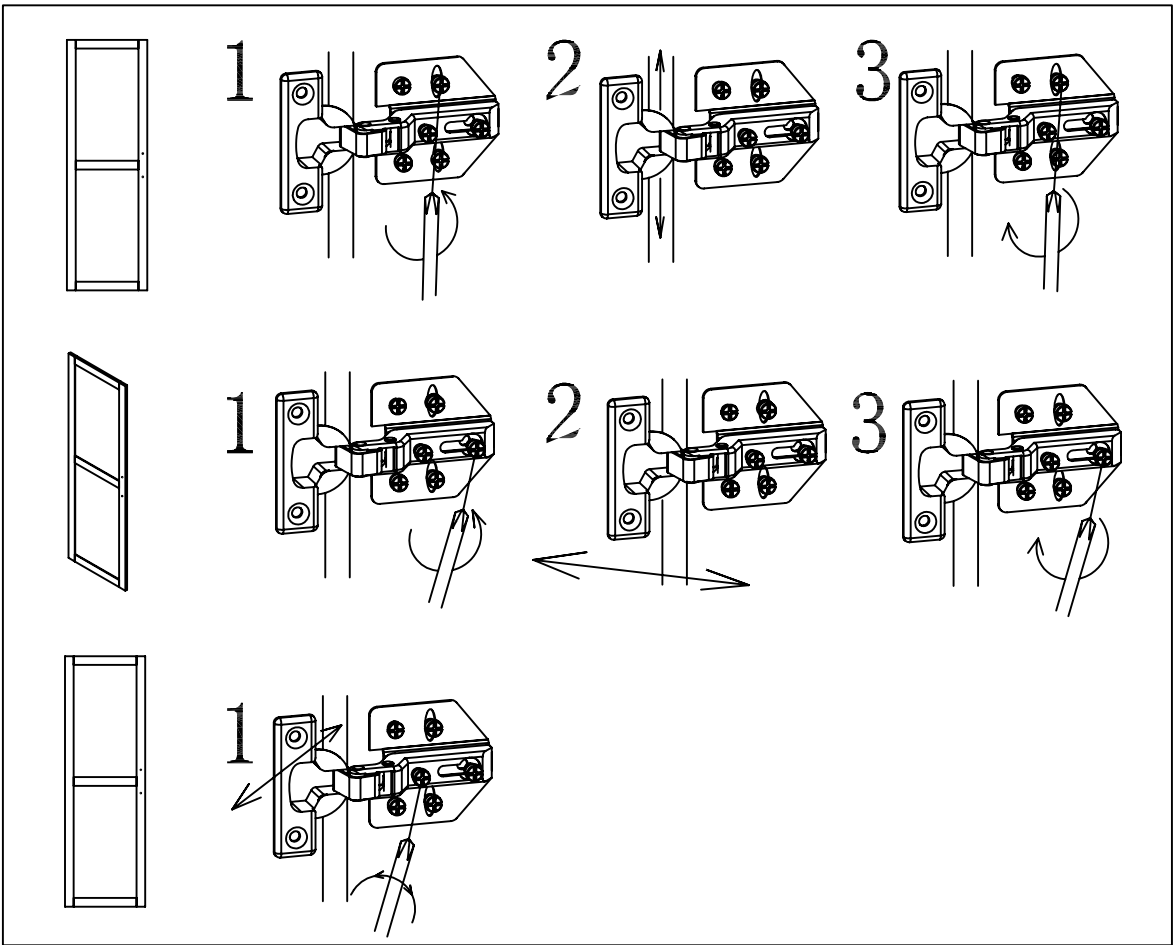




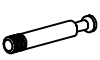
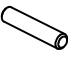


xx=yy









					
J x2	M x5	N x5	O x3	P x4	Q x6

