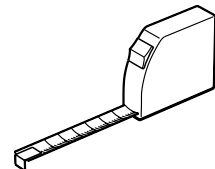
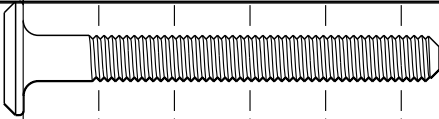
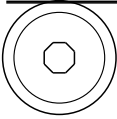
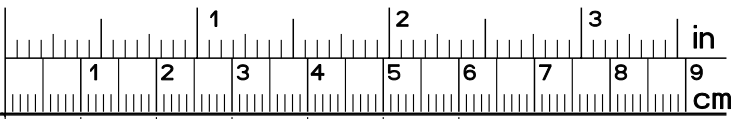
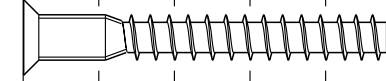


		mm			inch		
⑥	x 2	867	484	15	34 1/8	19 1/16	9/16
⑪	x 3	867	484	15	34 1/8	19 1/16	9/16
⑪②	x 2	1579	27	20	62 3/16	1 1/16	13/16
⑩	x 1	1698	115	16	66 7/8	4 1/2	5/8
①	x 2	1749	86	15	68 7/8	3 3/8	9/16
②	x 1	1749	522	15	68 7/8	20 9/16	9/16
⑧	x 1	1749	592	15	68 7/8	23 5/16	9/16
⑬	x 1	2027	885	19	79 13/16	34 13/16	3/4
⑭	x 1	2027	885	19	79 13/16	34 13/16	3/4
⑦	x 1	2030	494	15	79 15/16	19 7/16	9/16
⑤	x 2	2172	57	19	85 1/2	2 1/4	3/4
③	x 1	2173	592	15	85 9/16	23 5/16	9/16
④	x 1	2173	592	15	85 9/16	23 5/16	9/16
⑨	x 1	2046	882	3	80 9/16	34 3/4	1/8
⑨	x 1	2046	882	3	80 9/16	34 3/4	1/8

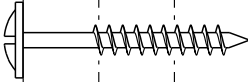
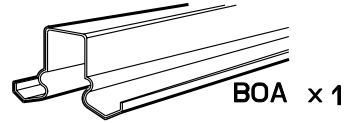




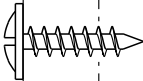
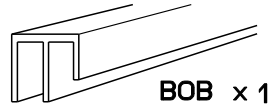
BLZ x 12



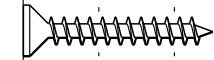
HW x 10



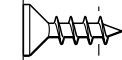
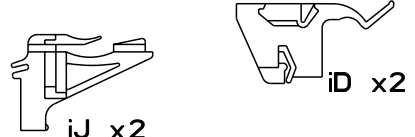
WH x 12



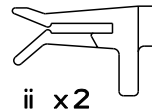
AMO x 16



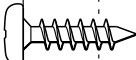
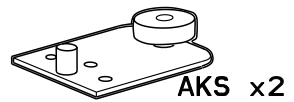
VJ x 8



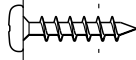
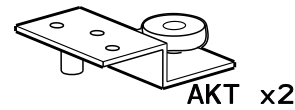
VG x 61



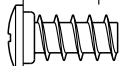
AKJ x 8



VE x 9



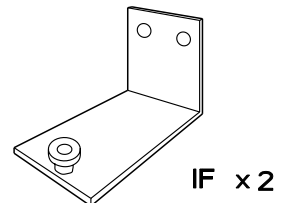
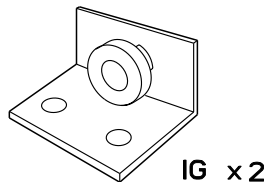
QA x 4

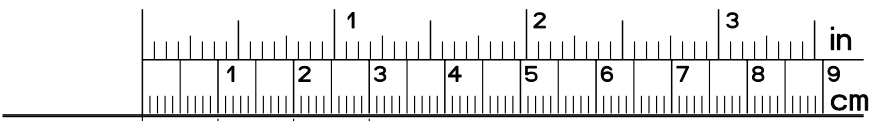


VB x 8

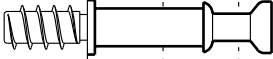


VR x 8





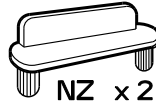
ADM x17



BWC x1



ANK x12



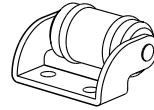
NZ x2



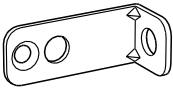
AHX x12



Ai x1



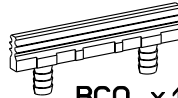
BXG x2



BLL x4



BML x12



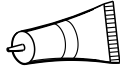
BCQ x12



BET x4



BND x20



CF x1



DC x2



WA x8



EP x8



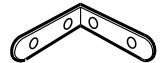
FA x5



GZ x4



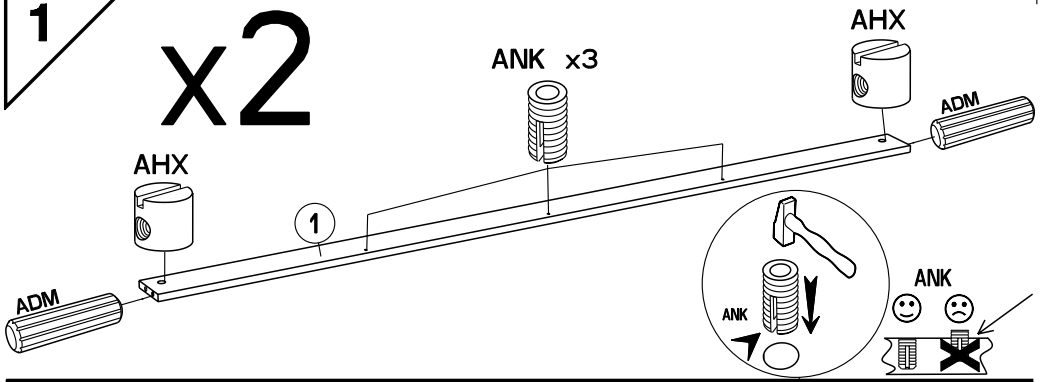
HV x1



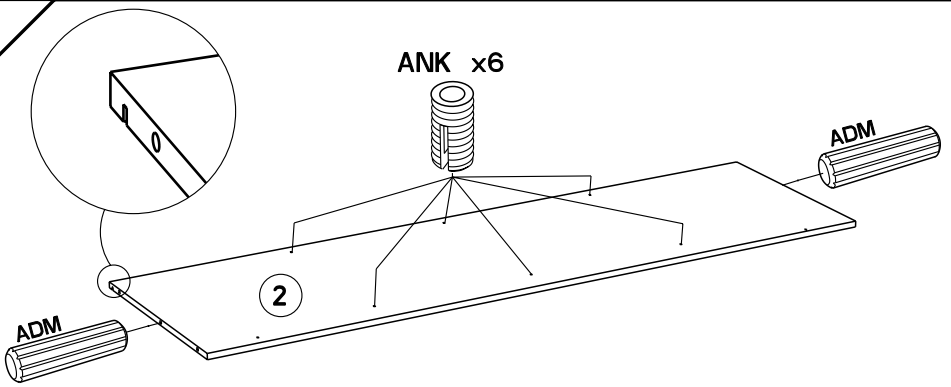
LN x8

1

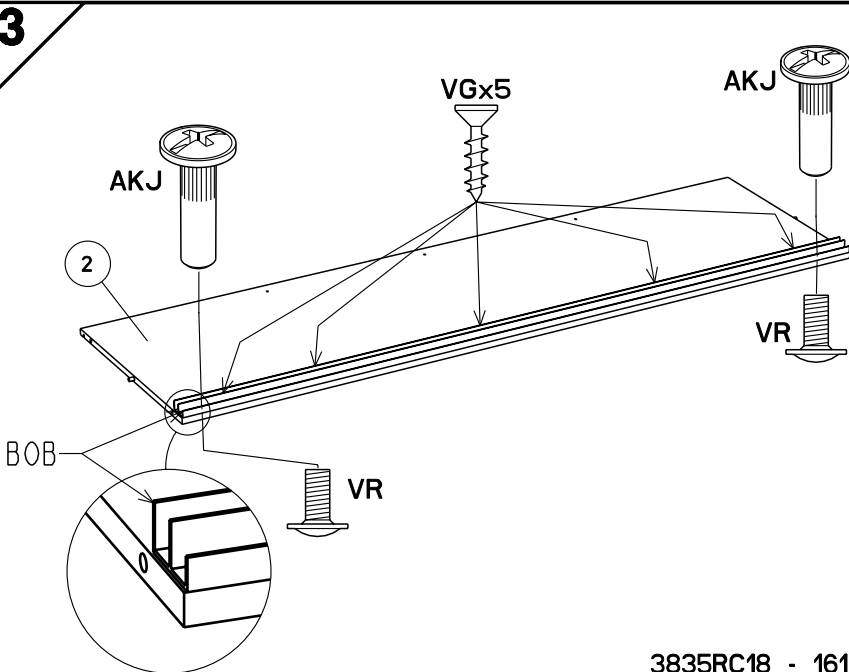
x2

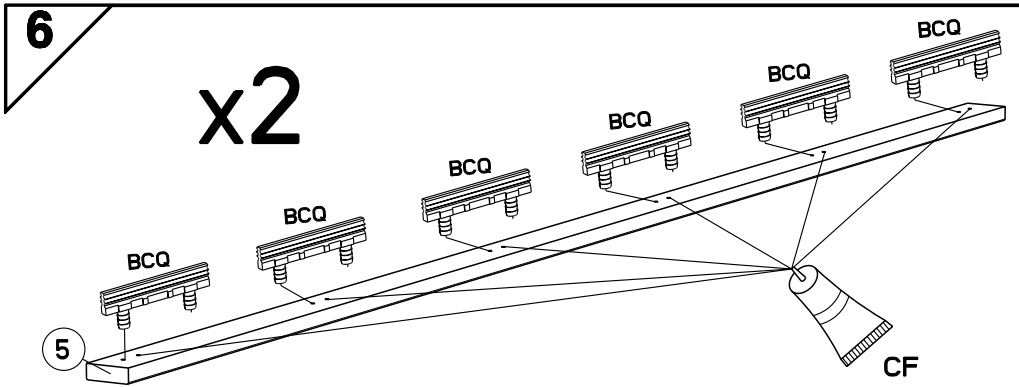
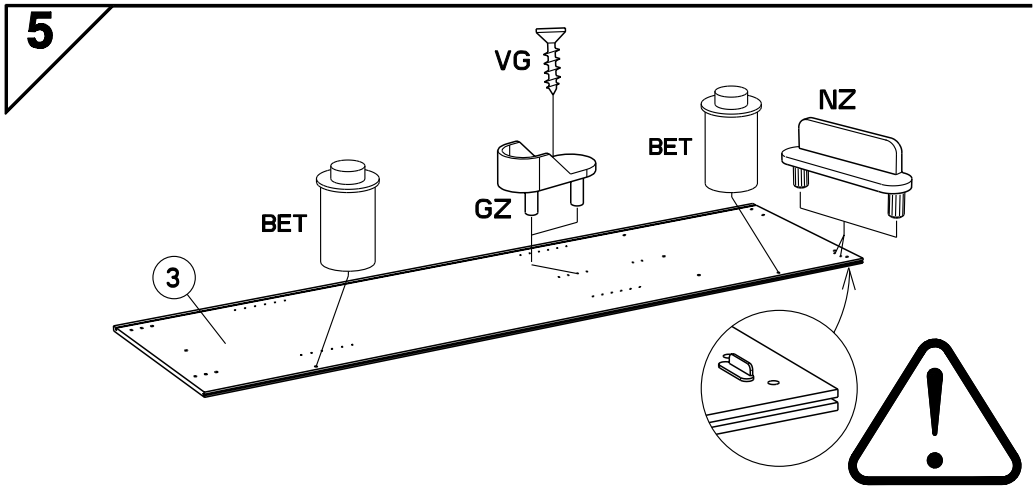
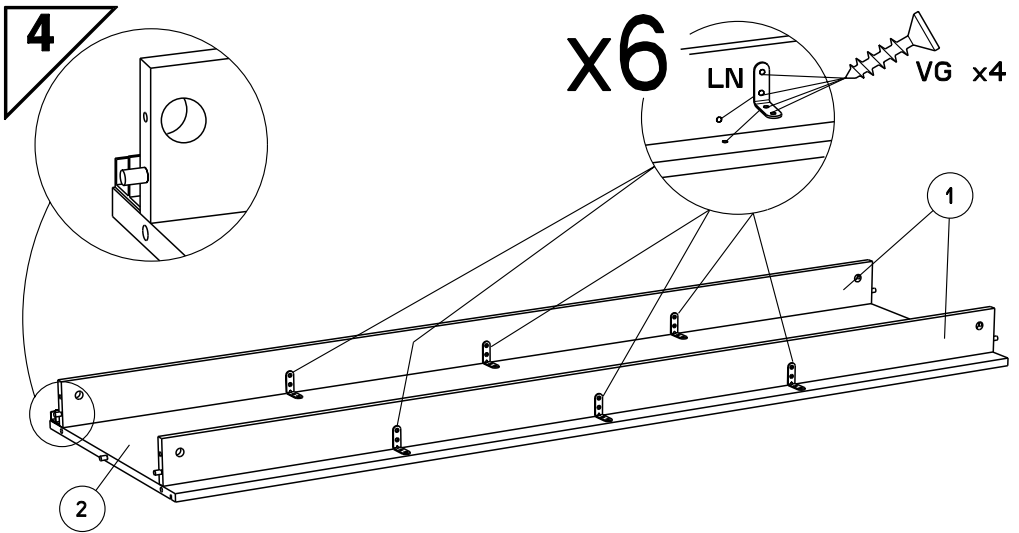


2

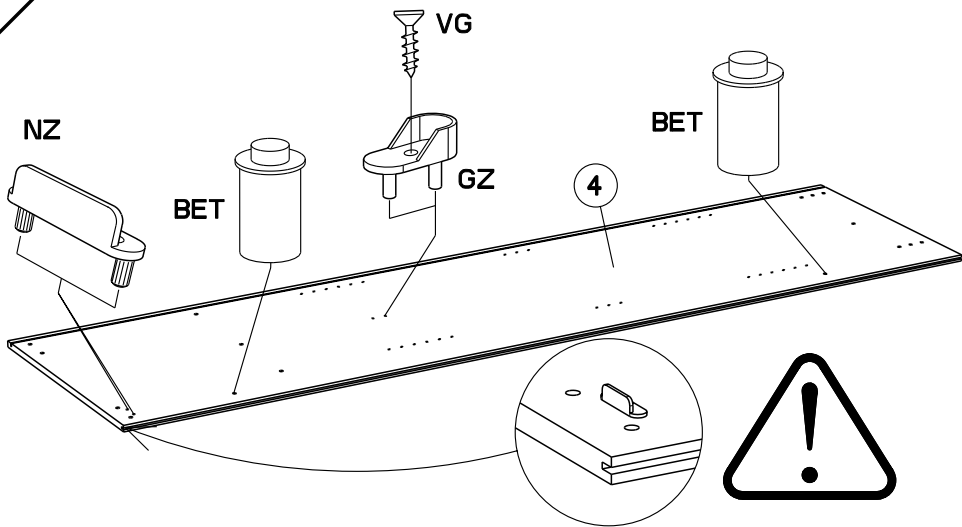


3

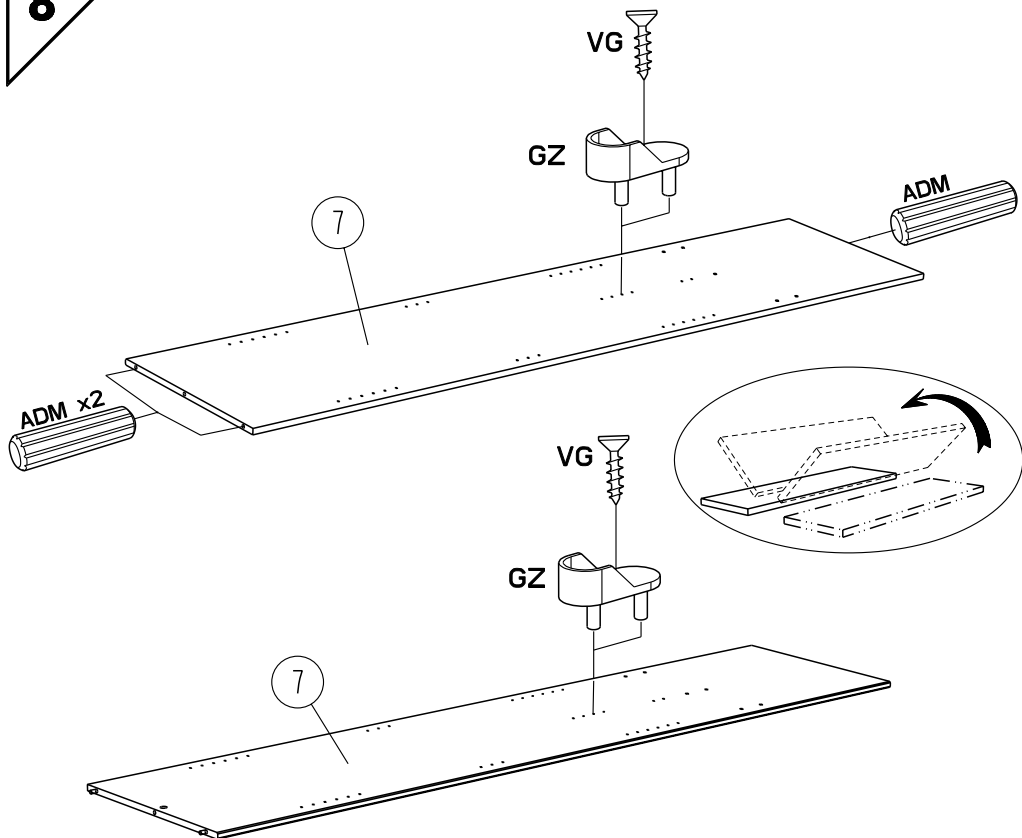




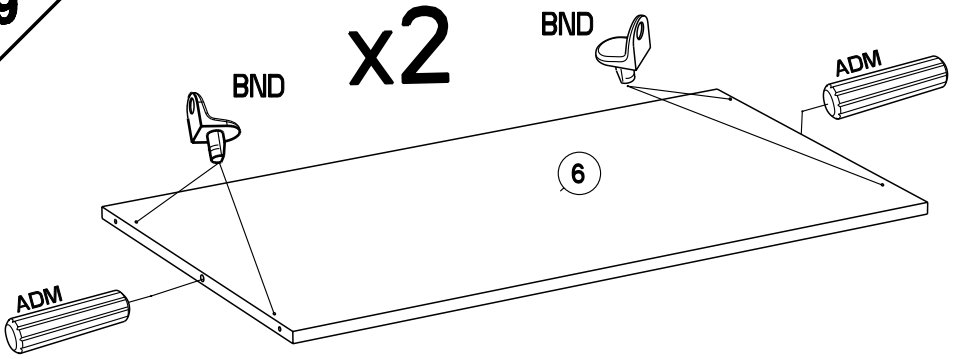
**7**



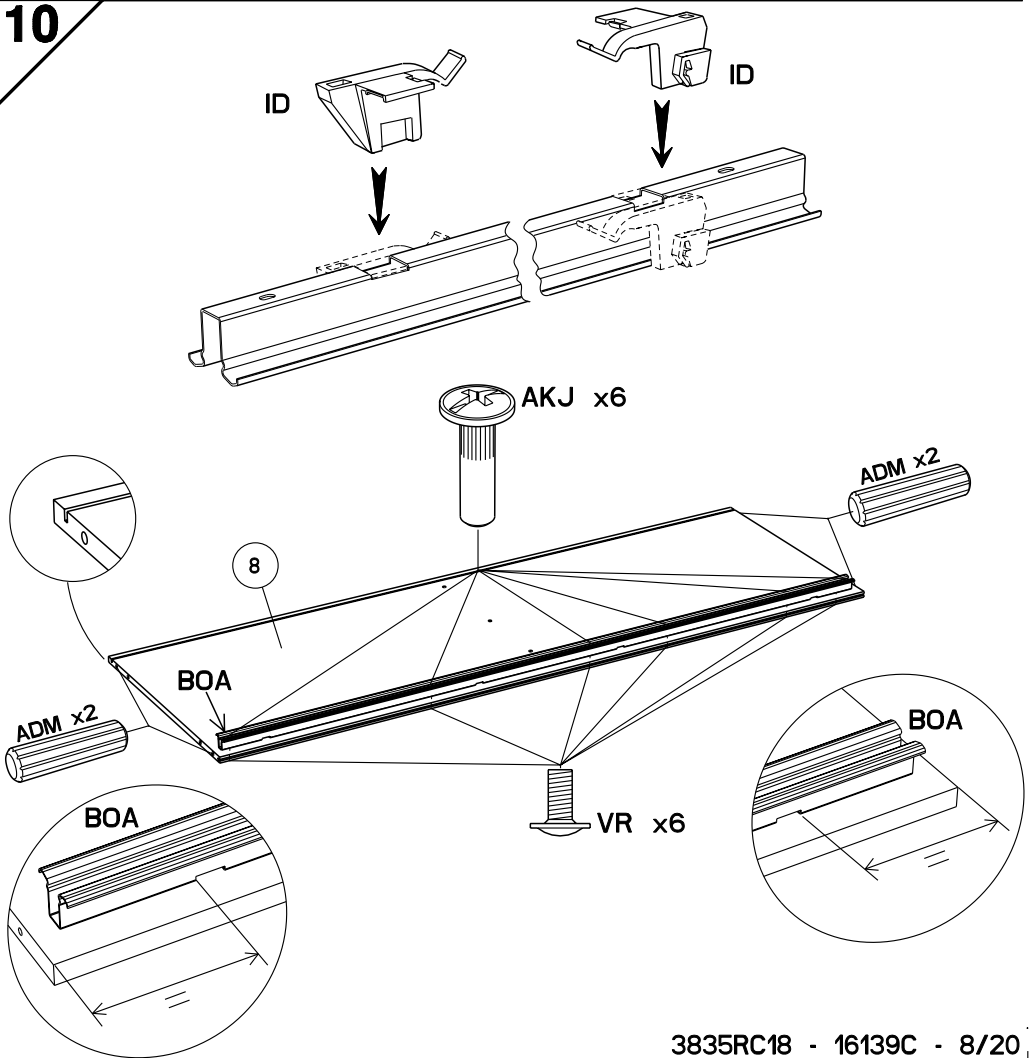
**8**



9

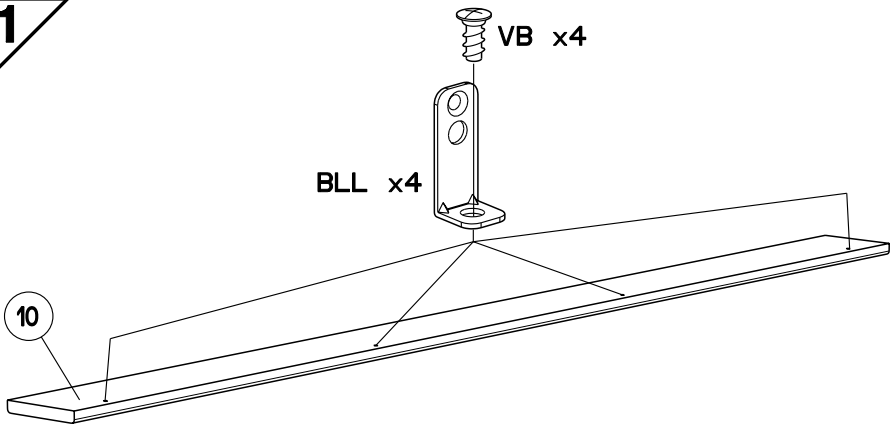


10

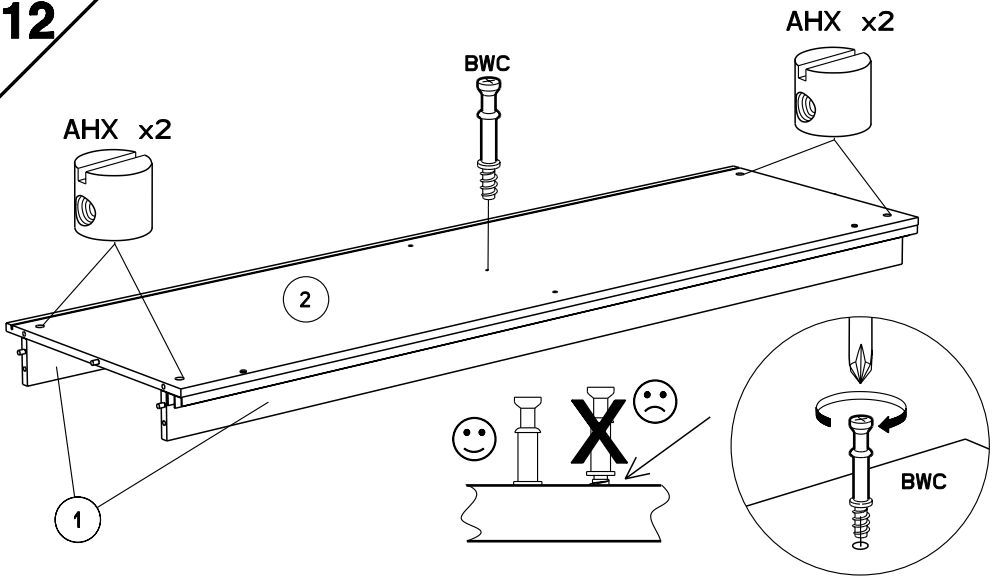




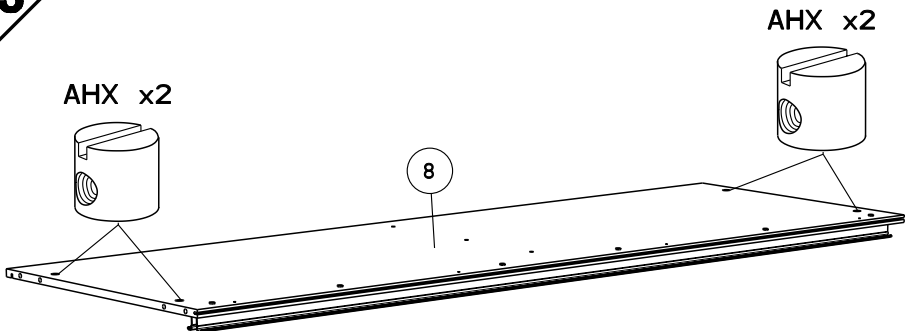
11



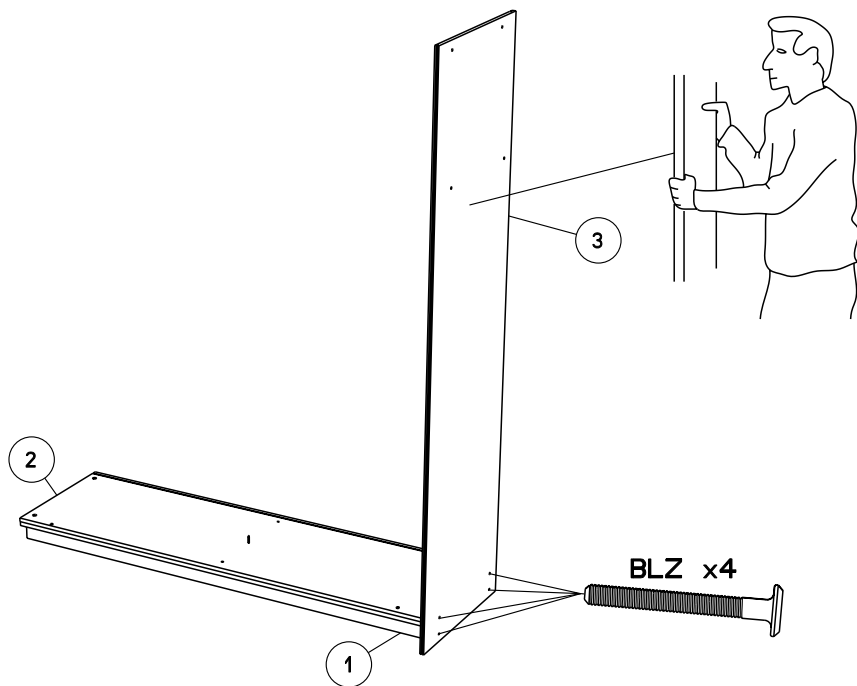
12



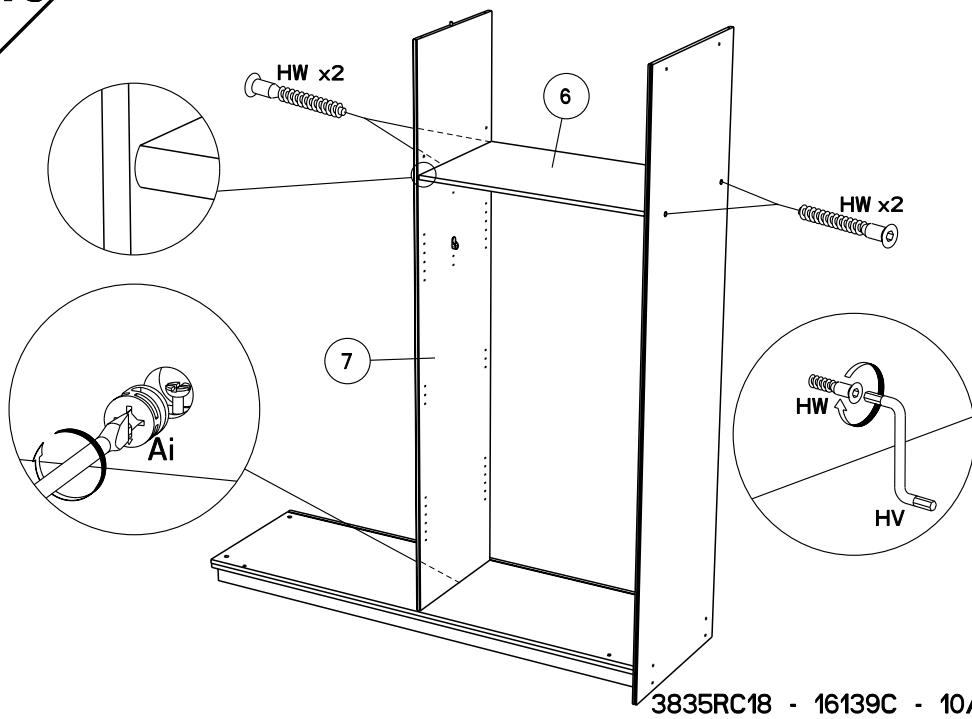
13



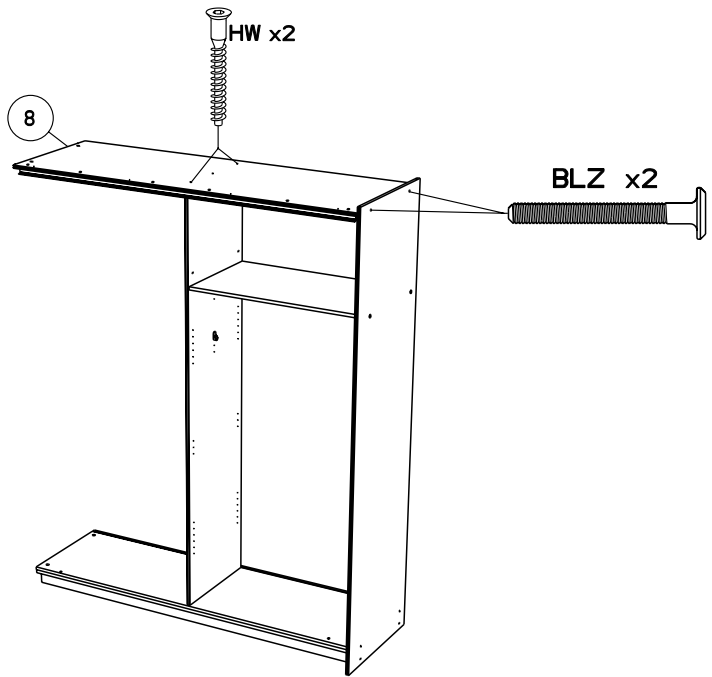
14



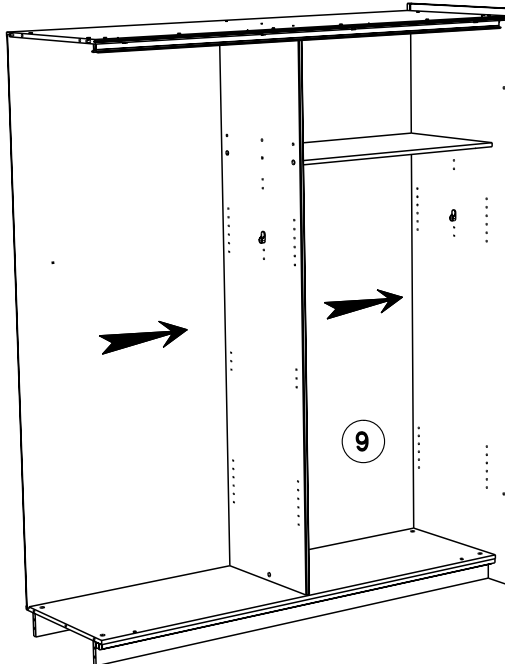
15



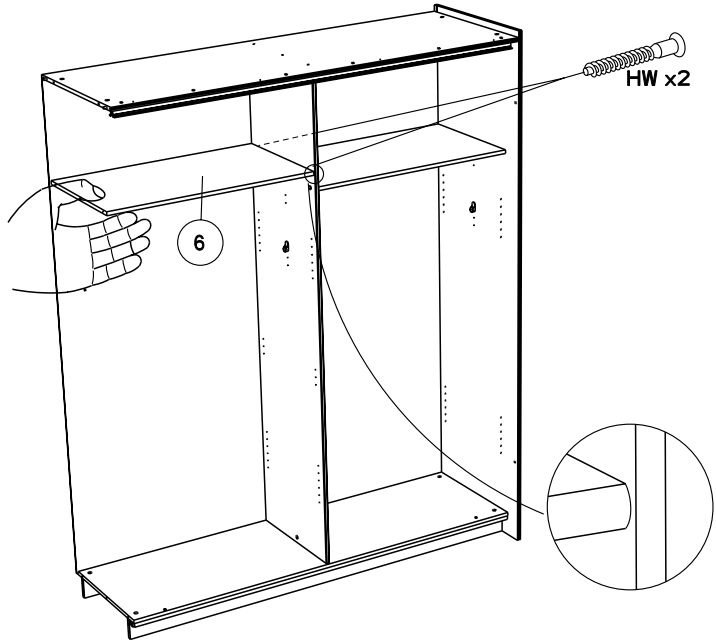
16



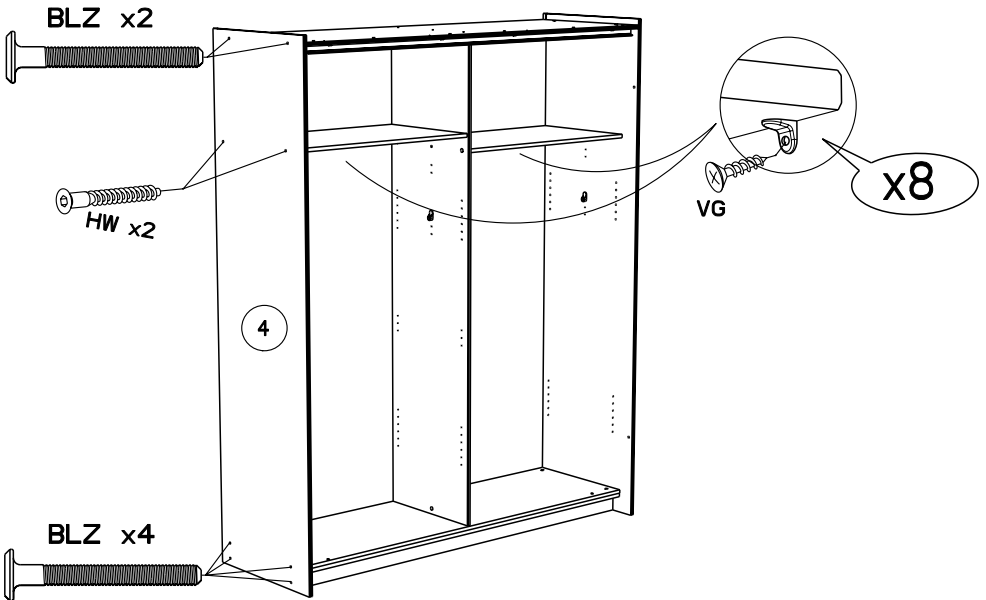
17



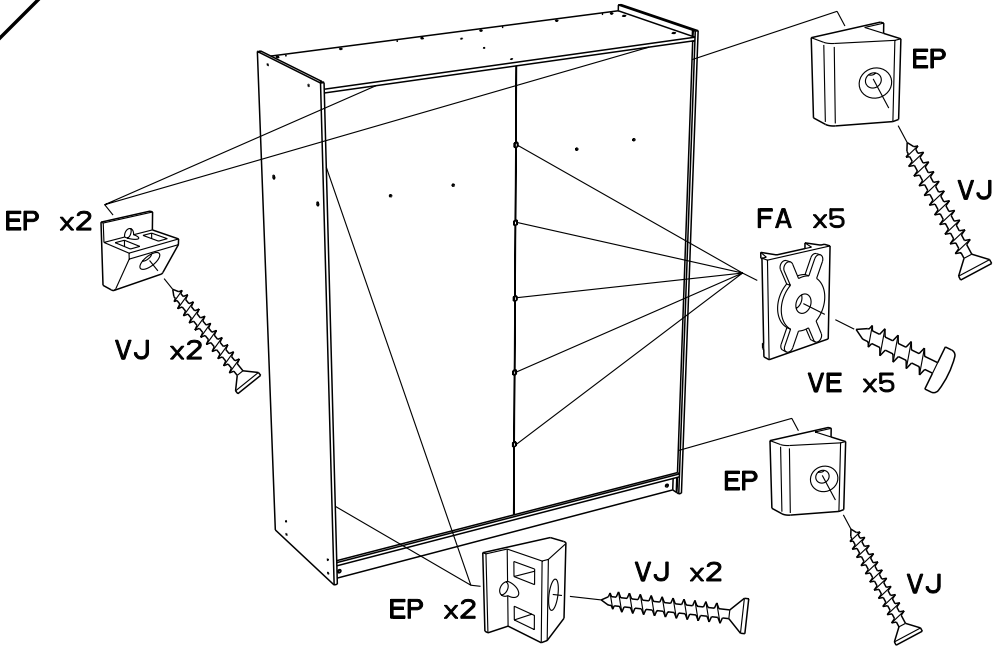
18



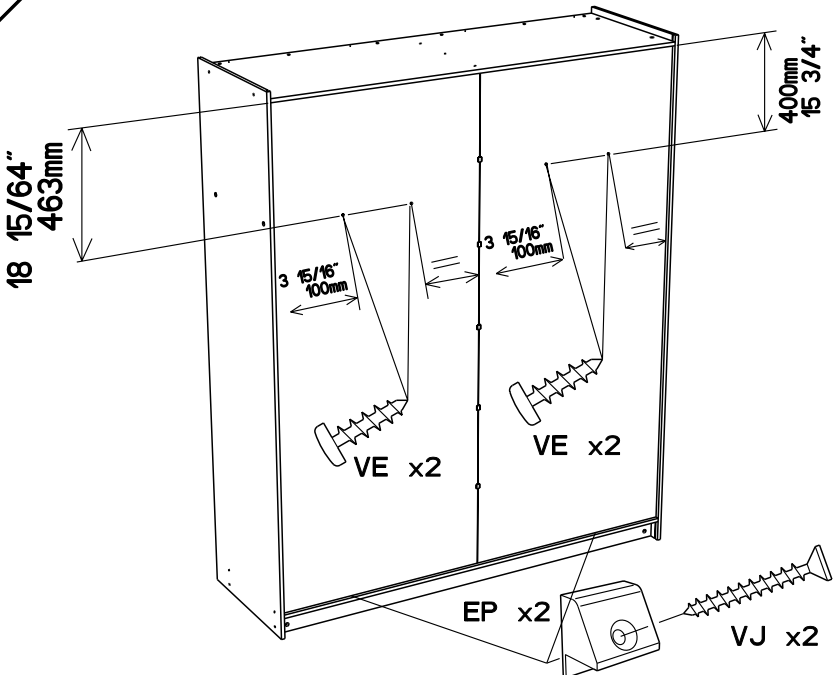
19

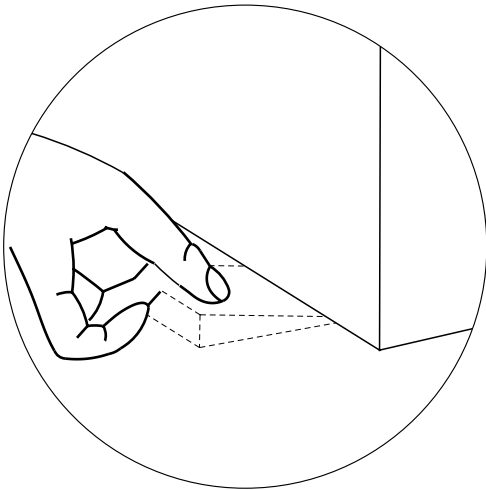


20

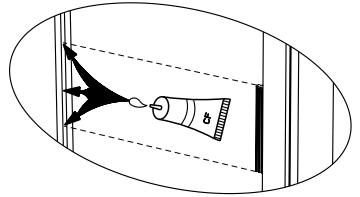
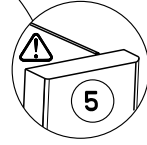
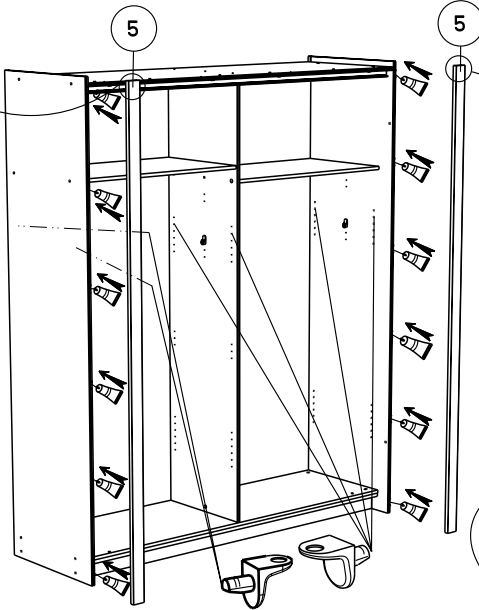
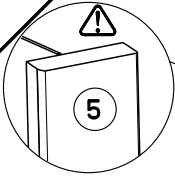


21



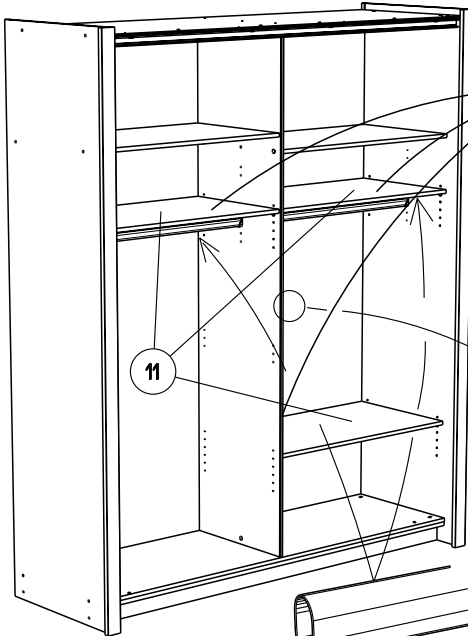


23

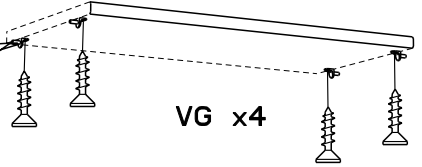


BND x8

24

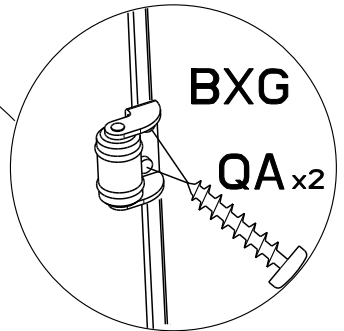


x3



VG x4

11

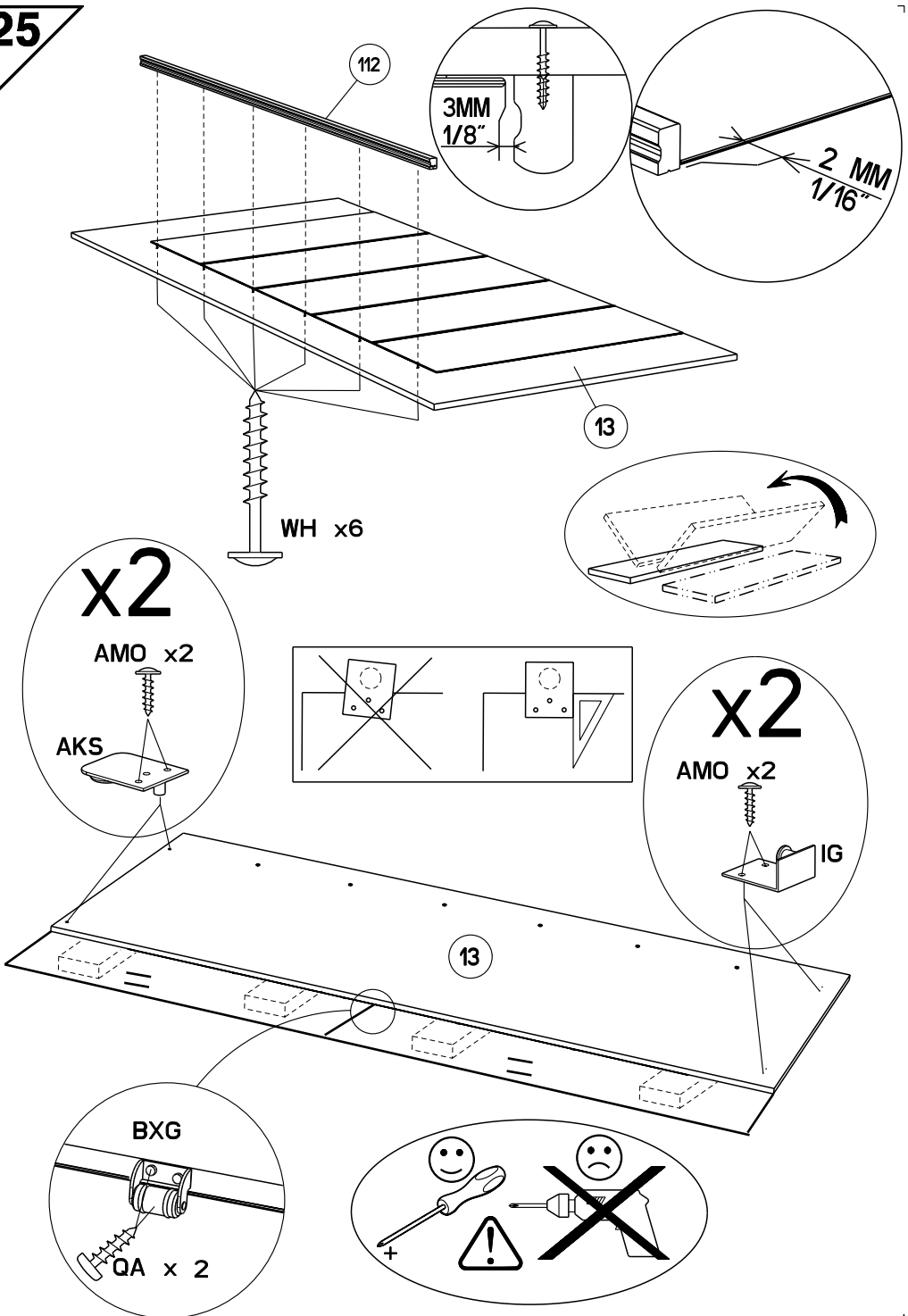


BXG

QA x2

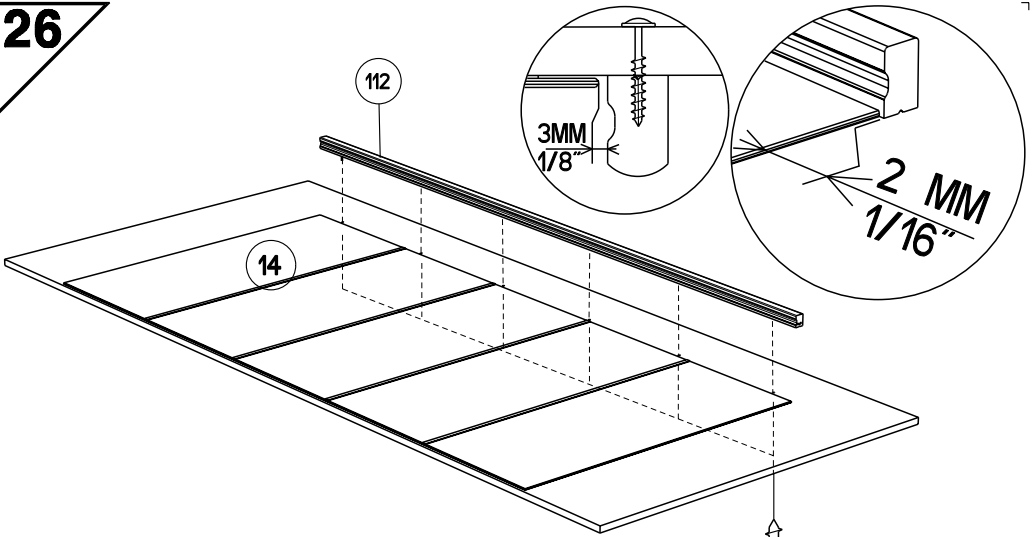
DC x2

25

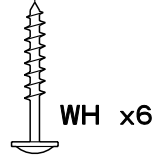
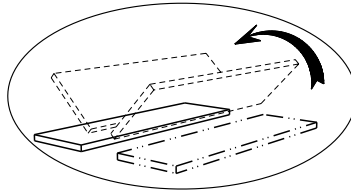




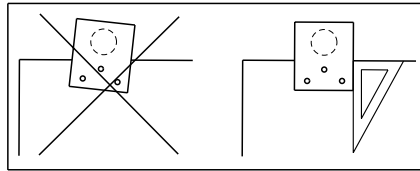
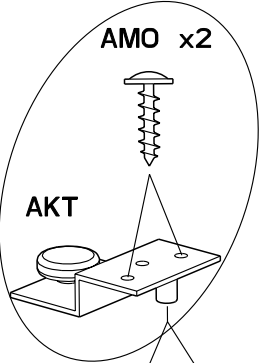
26



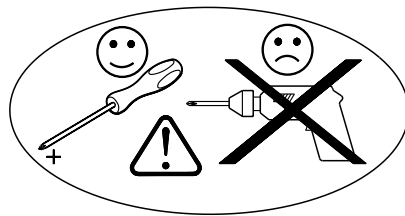
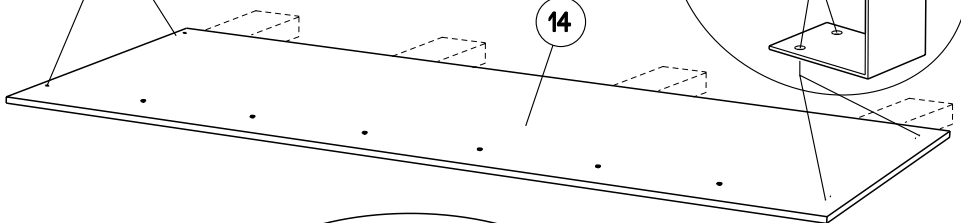
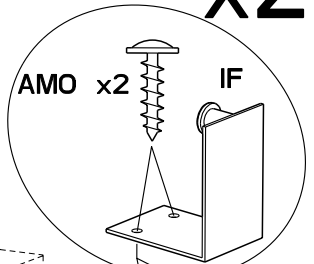
x2



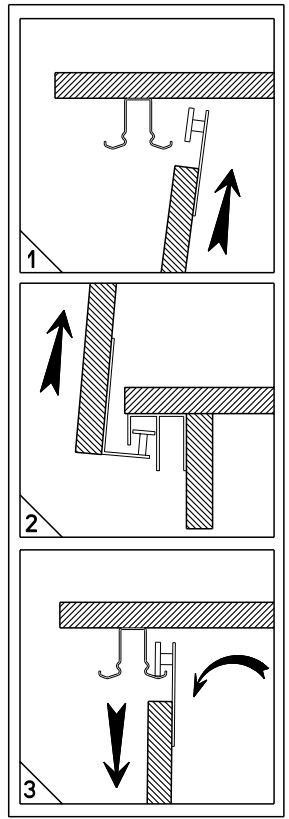
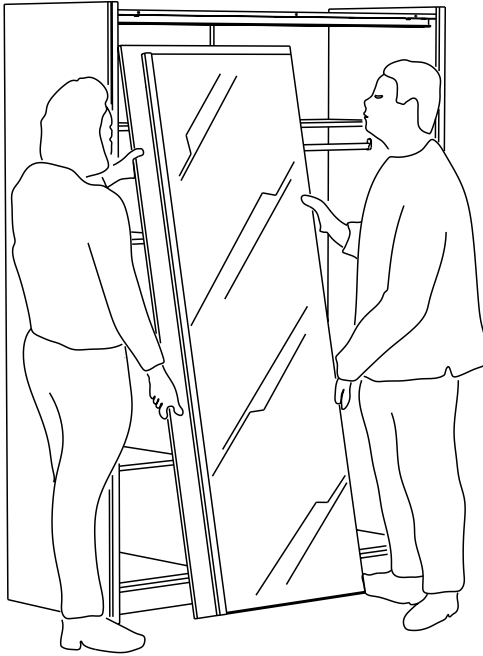
AMO x2



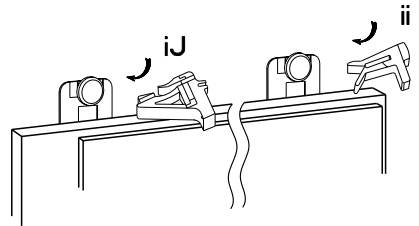
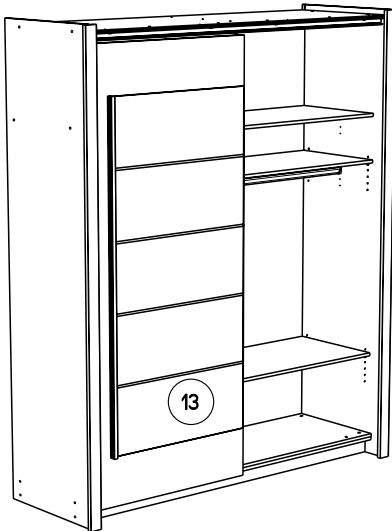
x2



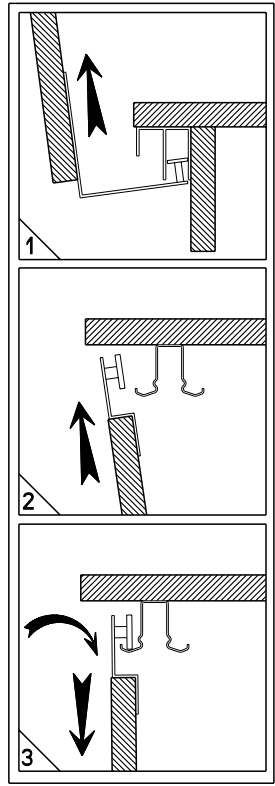
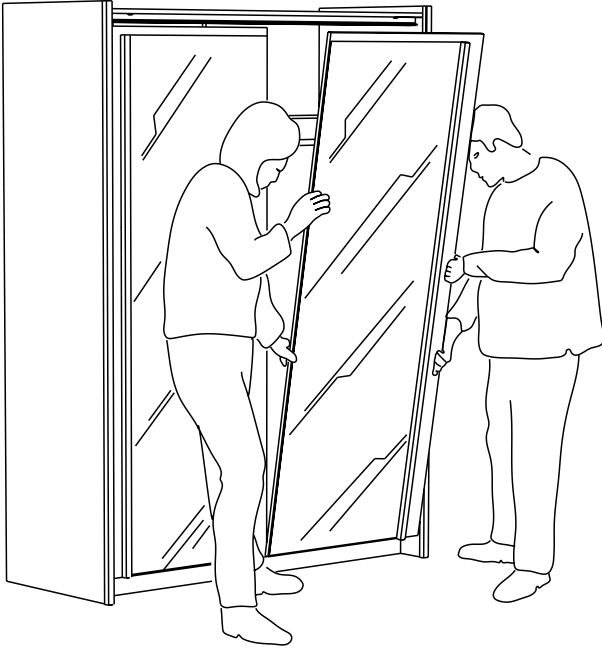
27



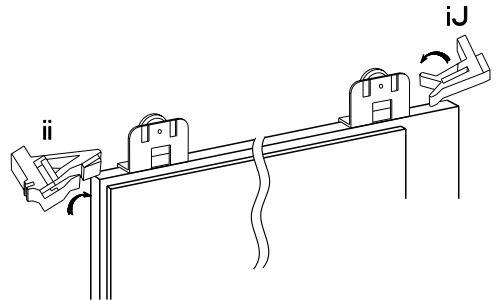
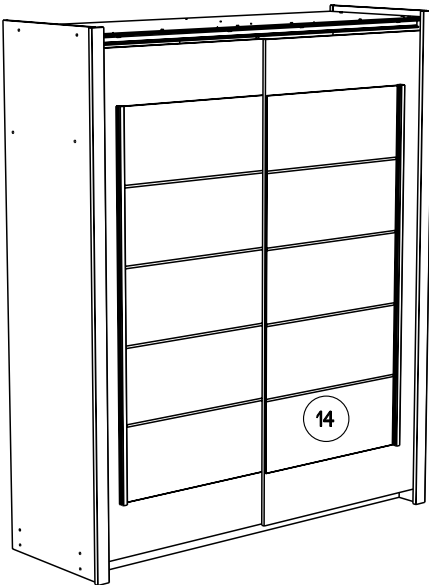
28



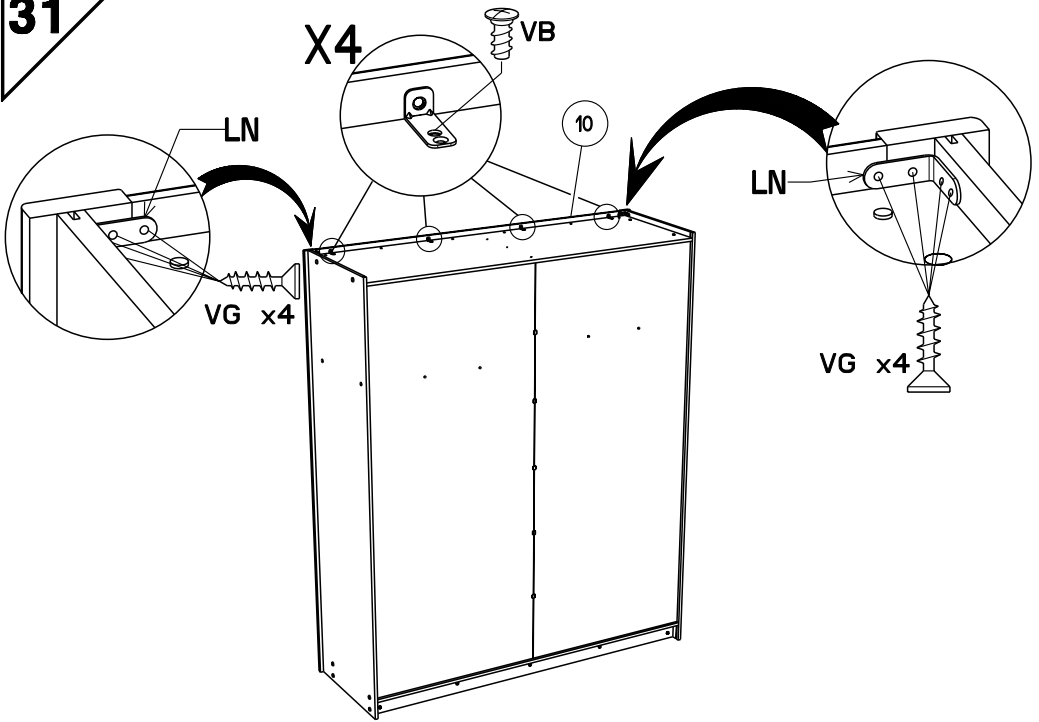
29



30



**31**



**32**

