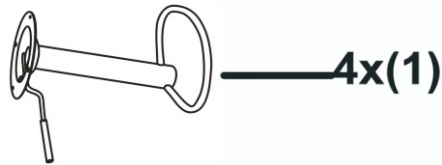
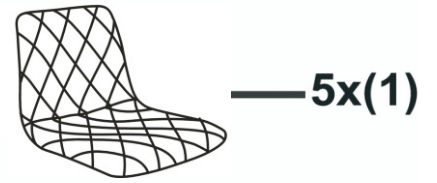


# EMU



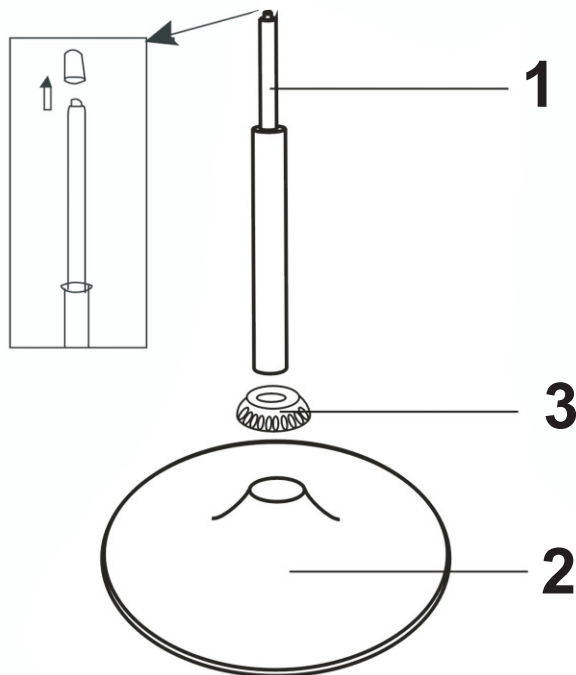
M6x16  
Ax4



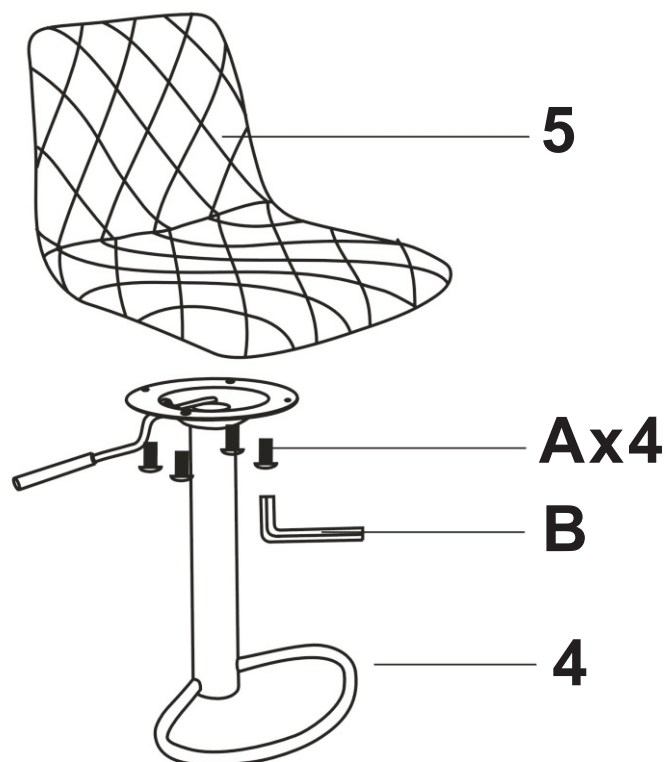
5MM  
Bx1



1



2



3

