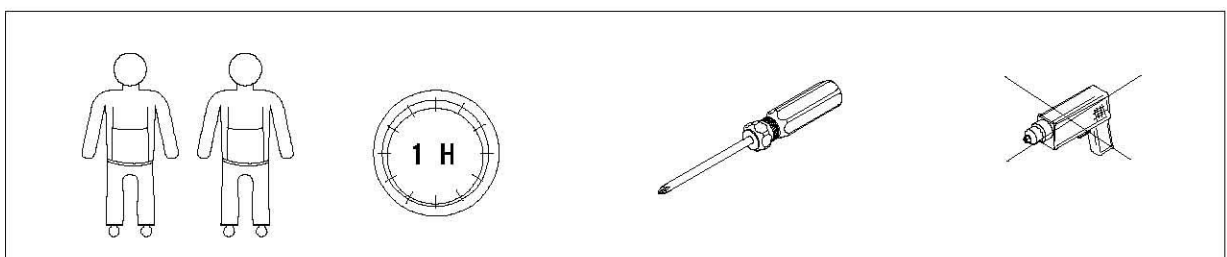
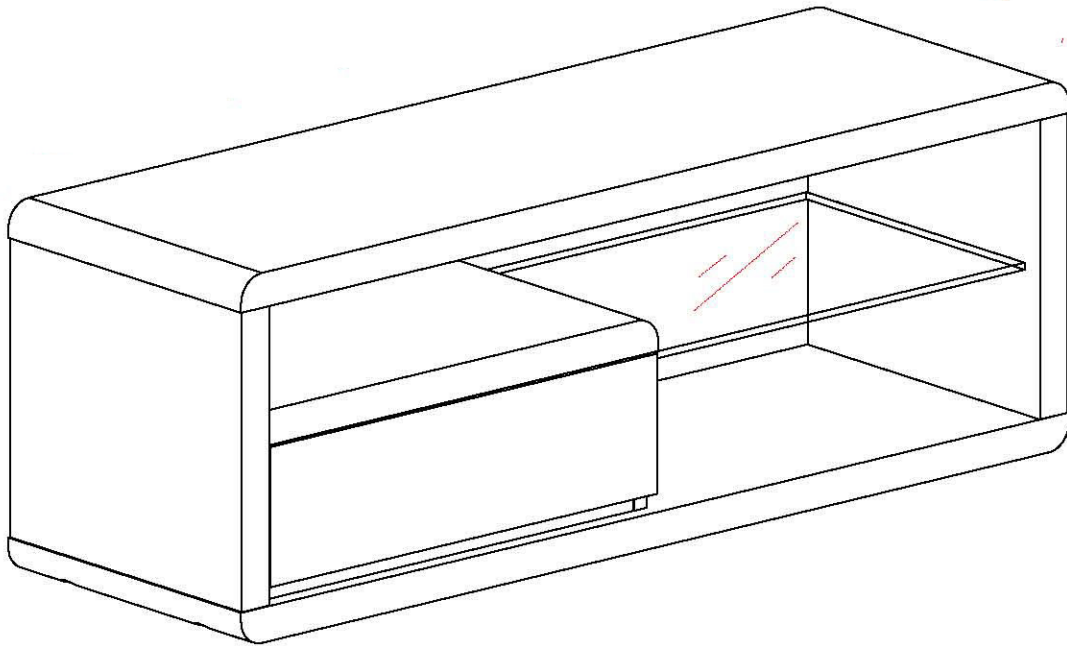
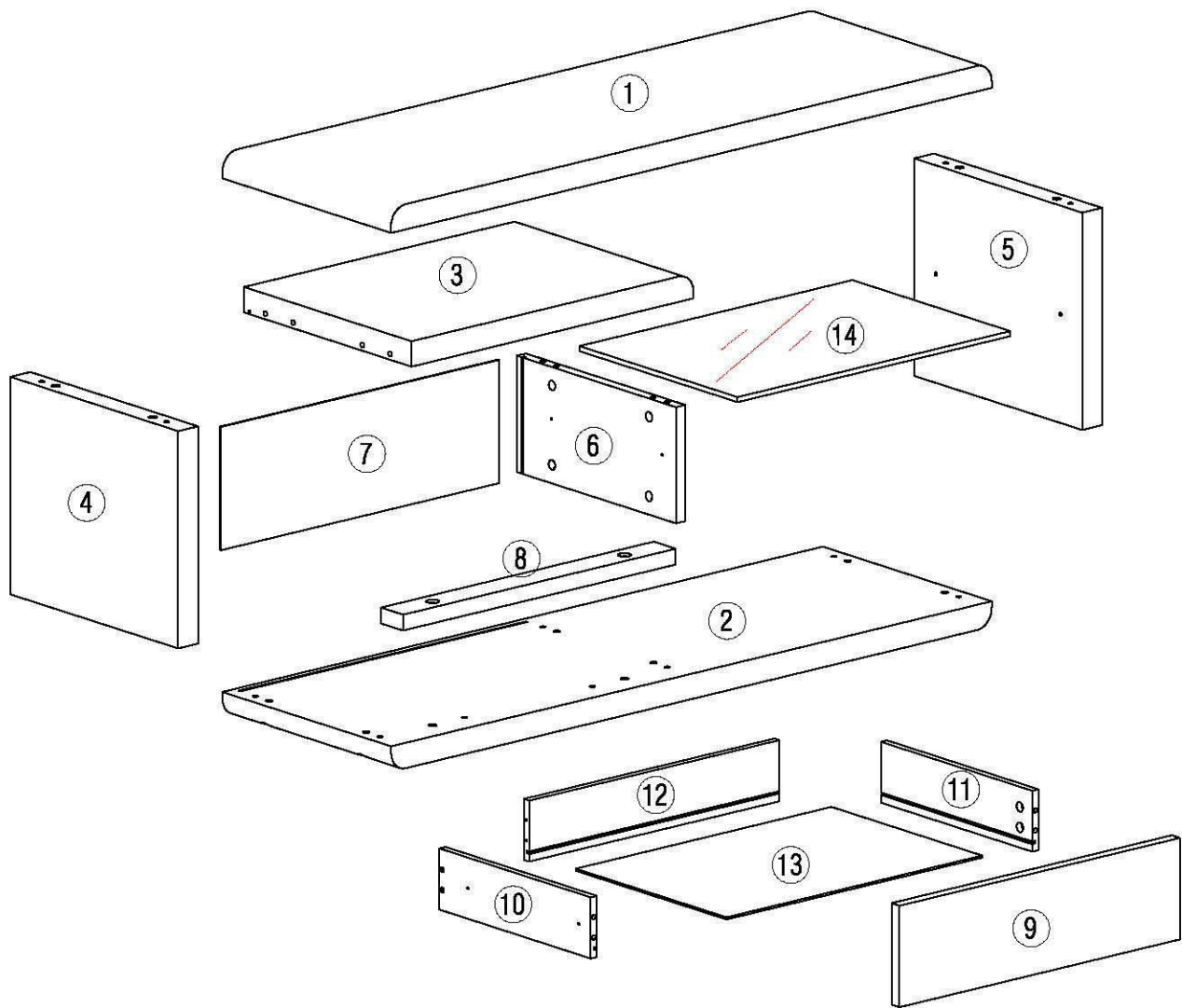
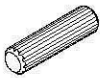


ERAN





Ø8x30
Ax16



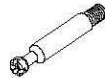
Ø15x12
Bx6



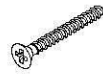
Ø15x9
Cx4



Ø6x28
Dx10



Ø4x30
Ex4



Ø3.5x12
Fx10



16x16x10
Gx4



Ø3x15
Hx4



Ø6x35
Ix2



Ø6x20
Jx2



350mm
Kx2



Ø8*397
Lx4



Ø19 Ø8x2
Mx4



Ø8/14x6
Nx4



16x19x22
Ox4



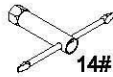
Ø8x1.0
Px1



Qx1










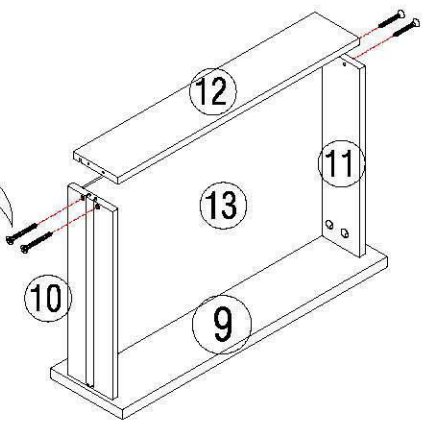
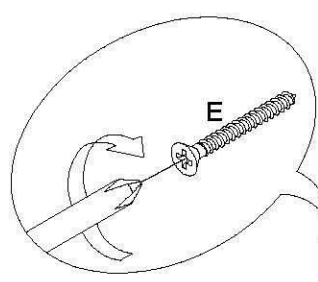
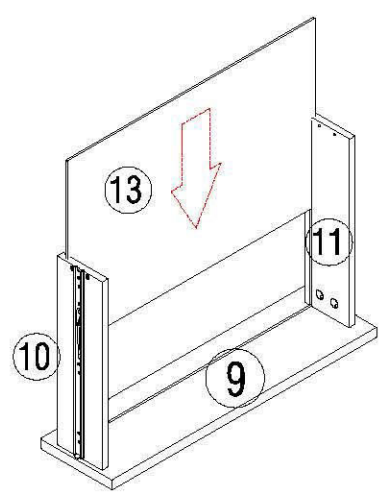
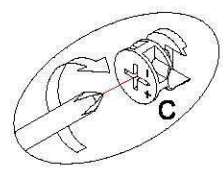
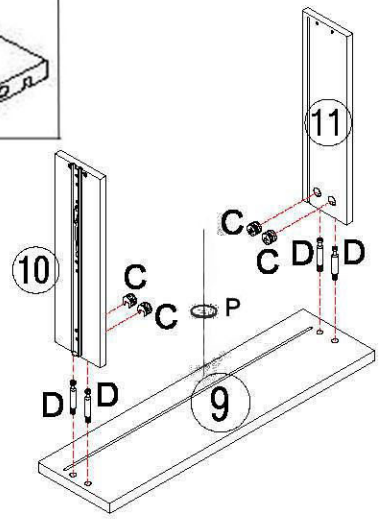
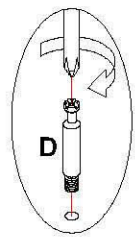
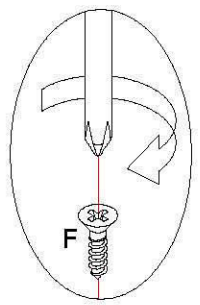
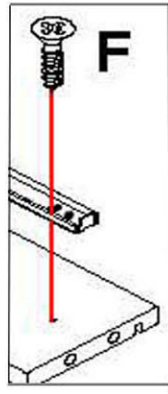
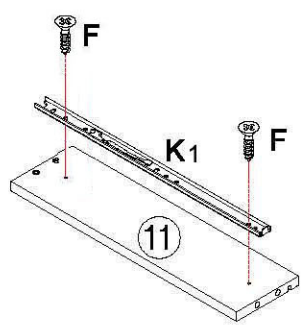
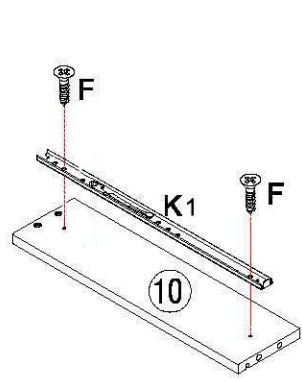
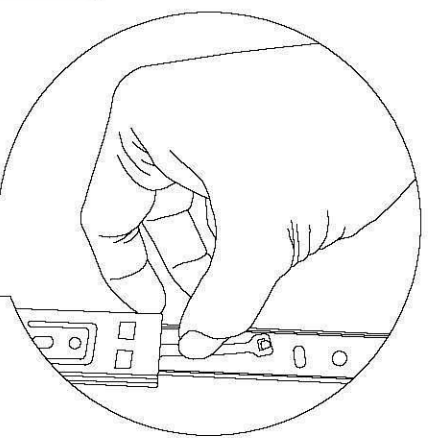
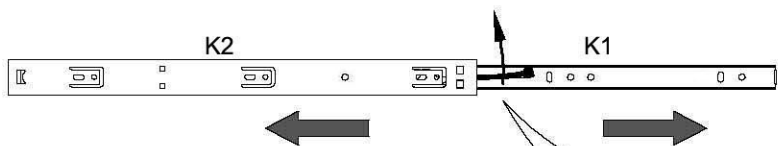
Rx1

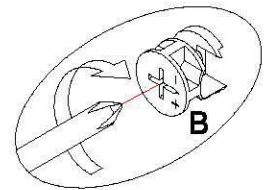
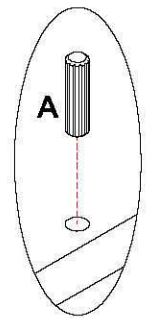
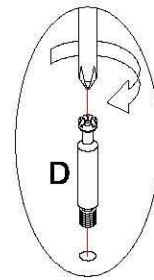
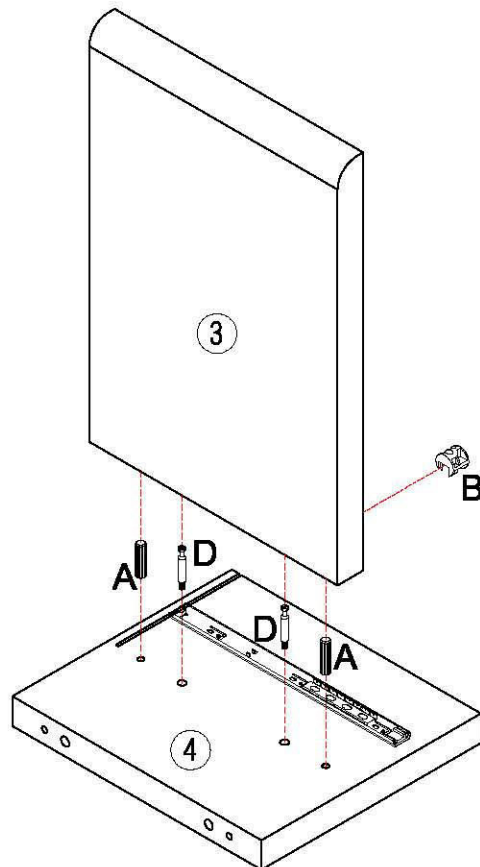
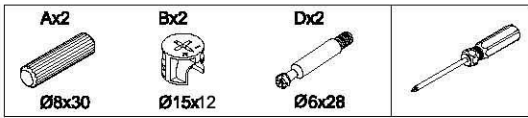
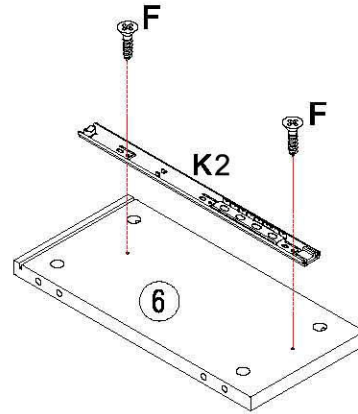
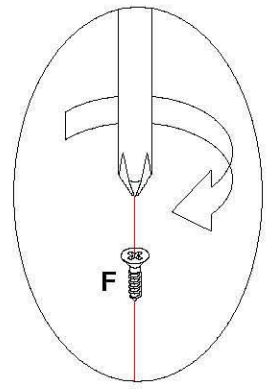
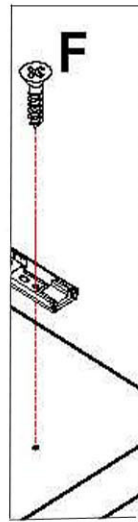
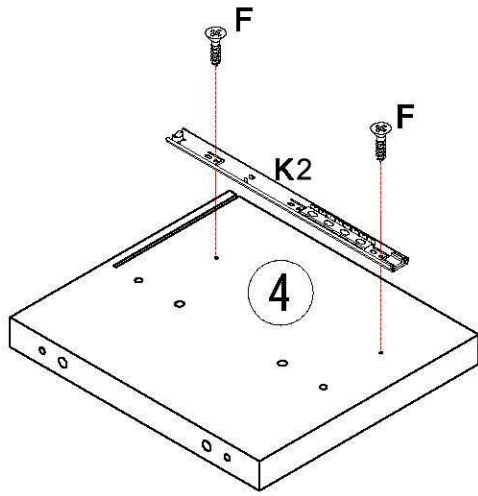
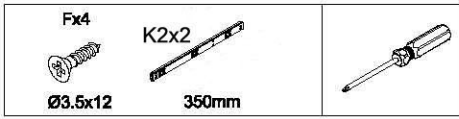


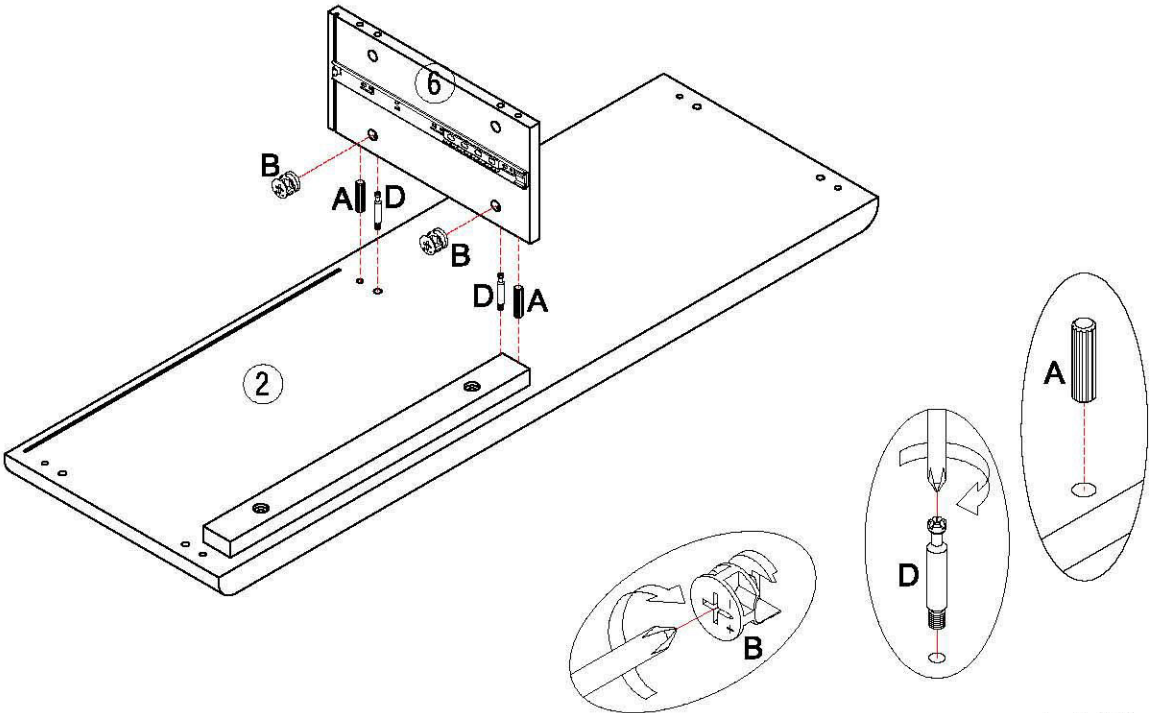
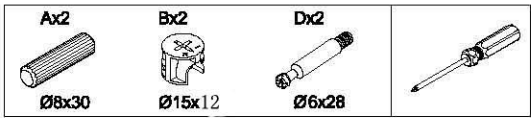
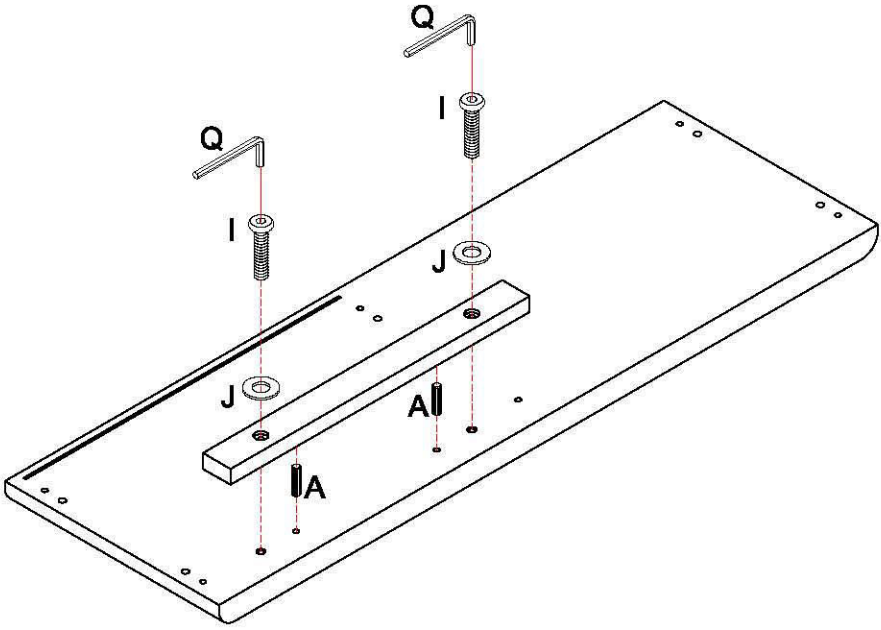
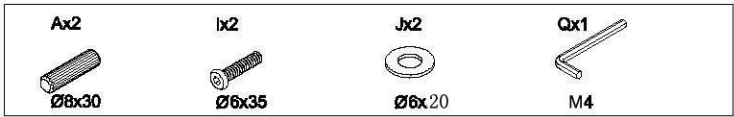
Ø28*2
Sx4

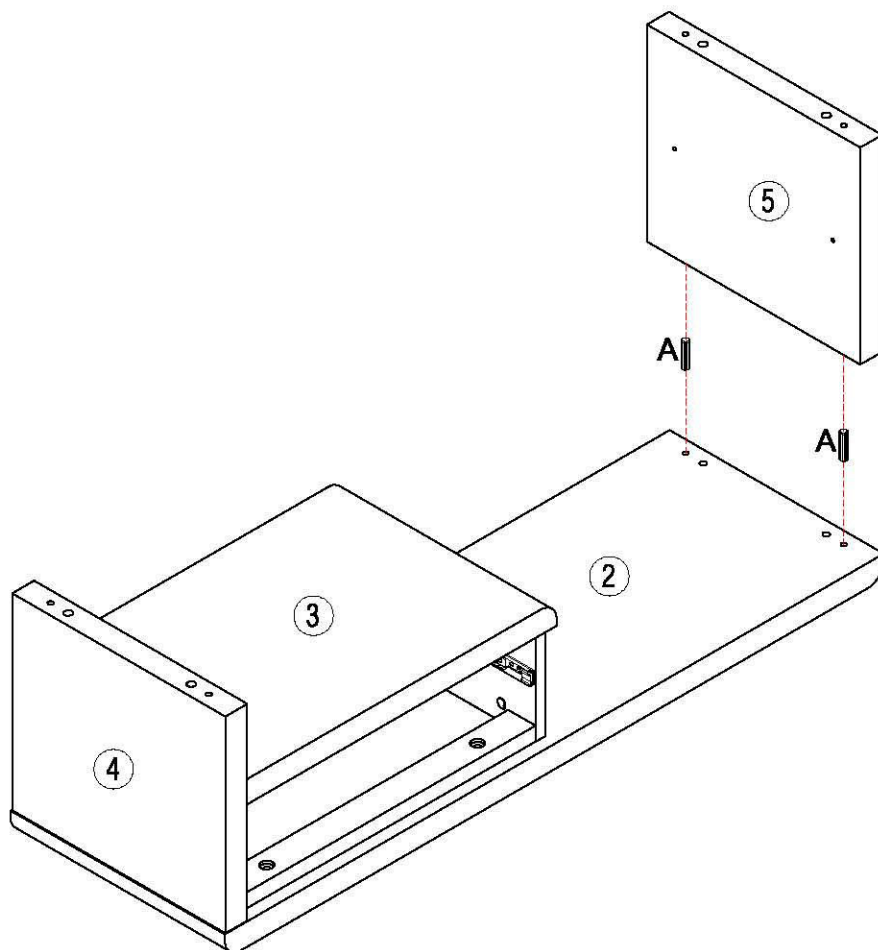
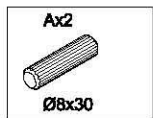
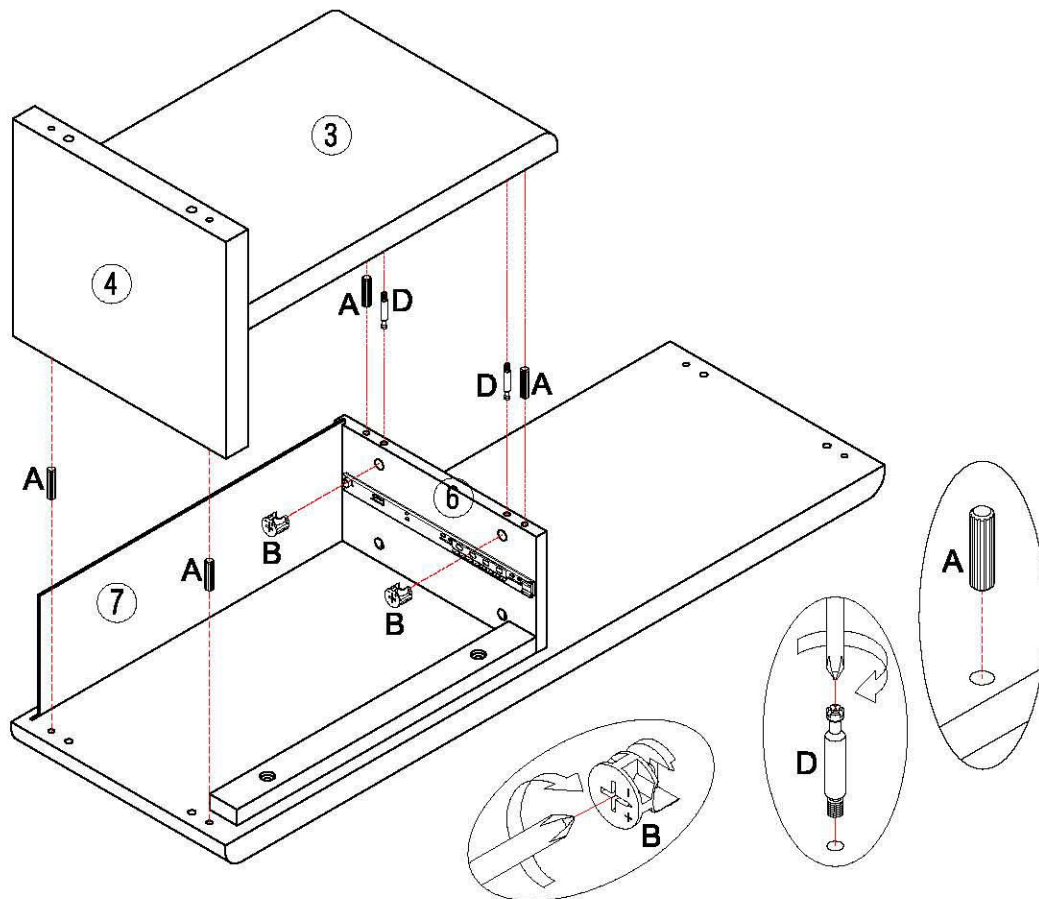
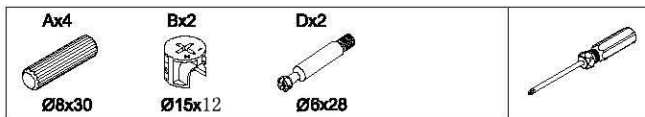


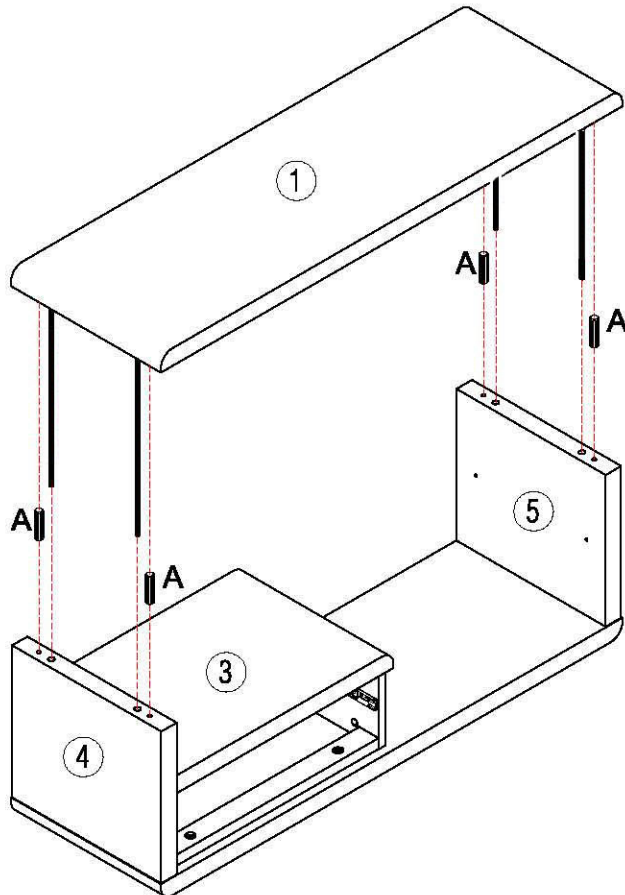
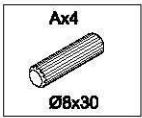
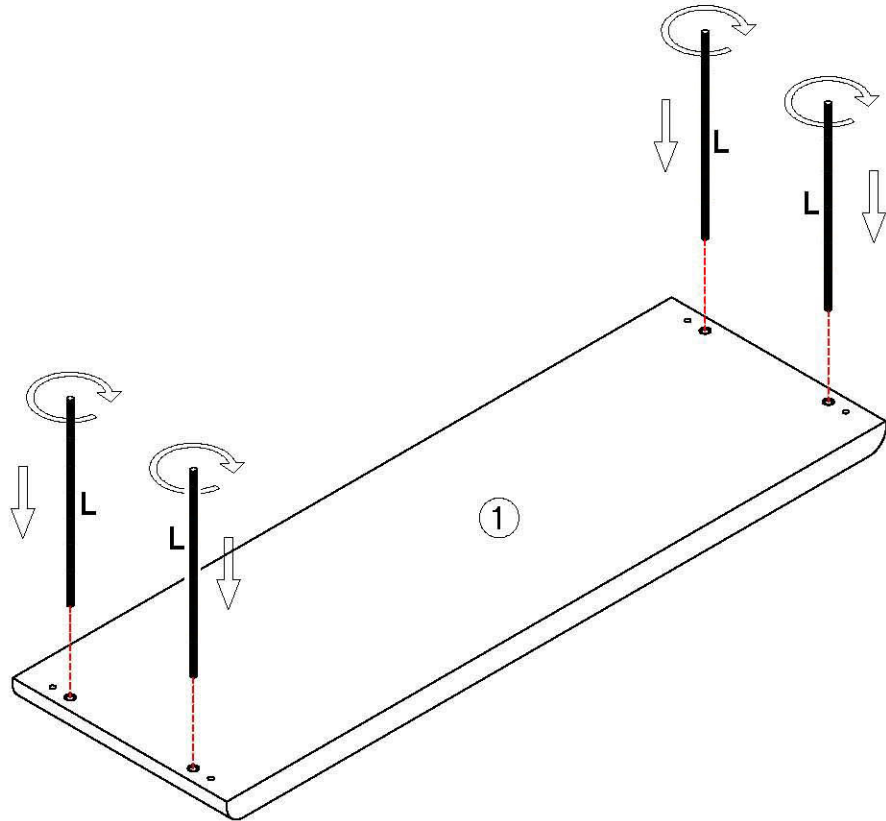
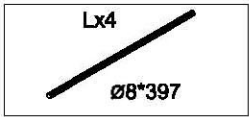
Cx4  Ø15x9	Dx4  Ø6x28	Ex4  Ø4x30	Fx4  Ø3.5x12	k1x2  350mm		Px1  Ø8x1.0
--	---	---	---	--	--	--

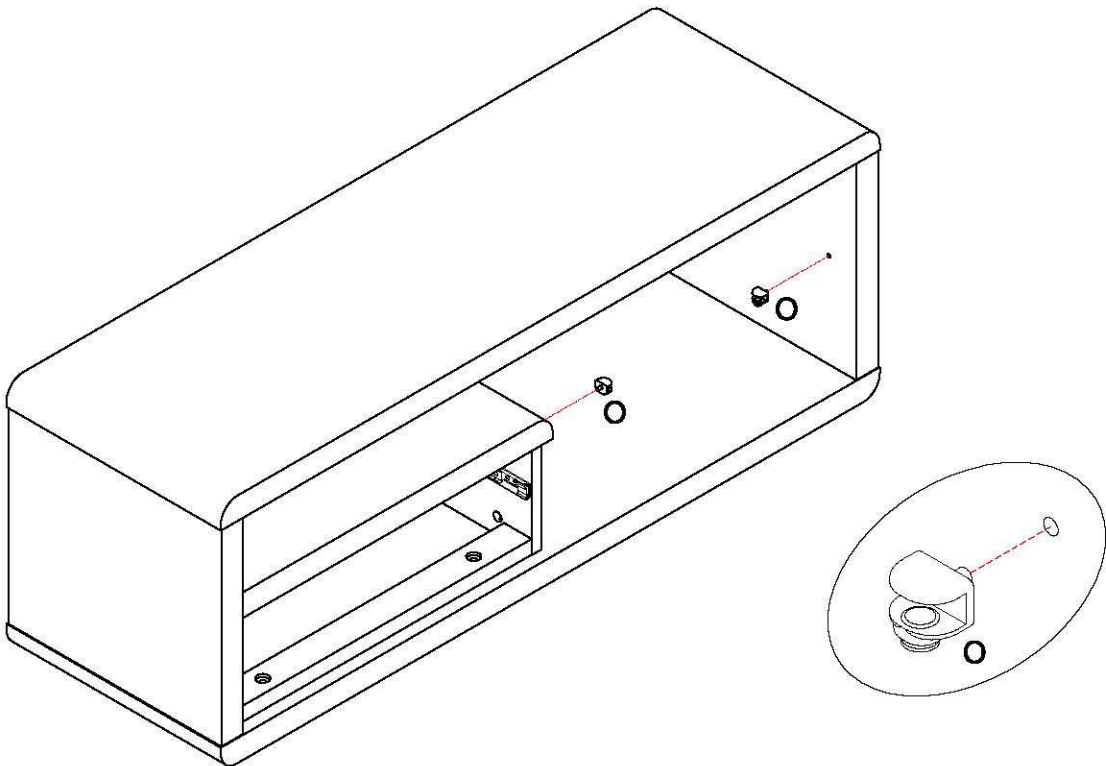
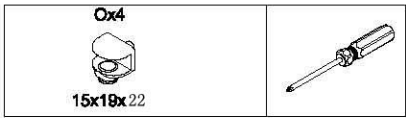
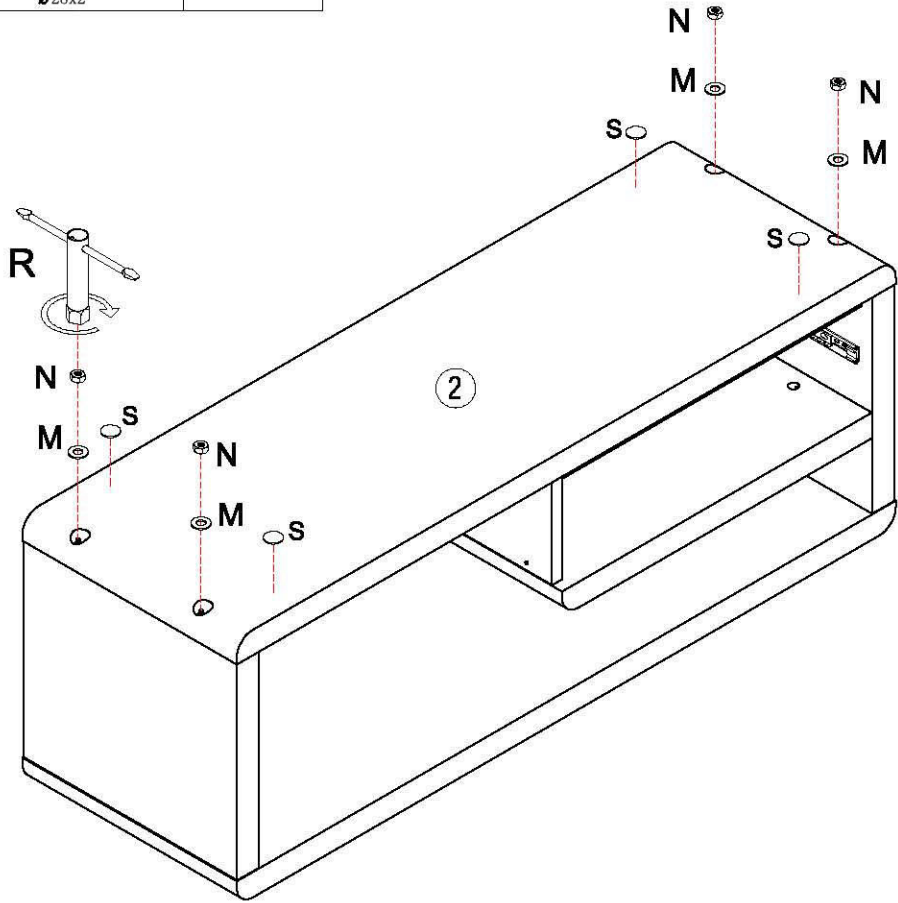
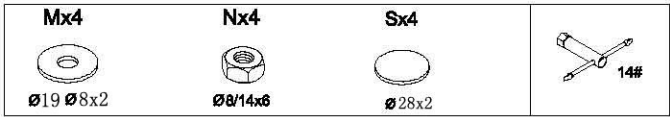


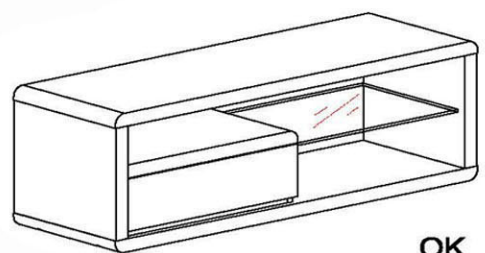
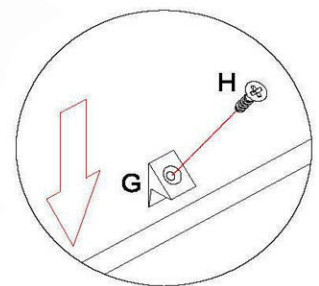
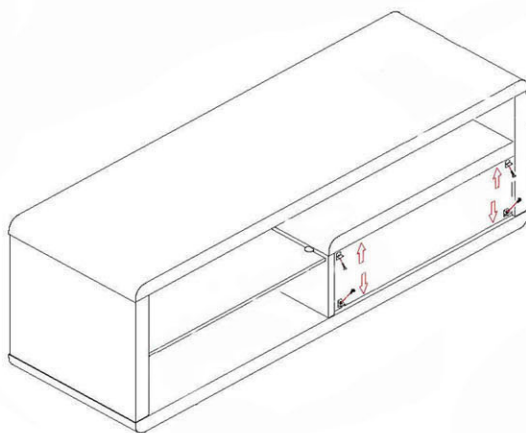
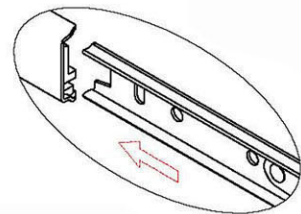
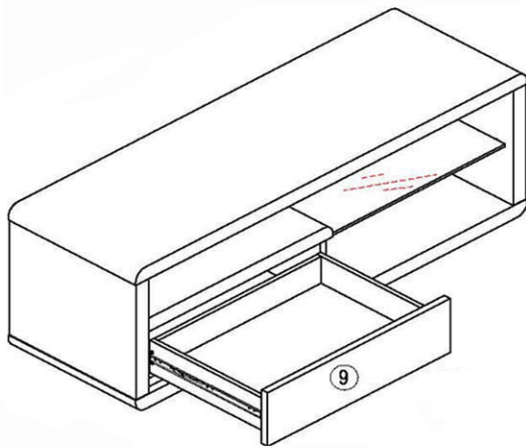
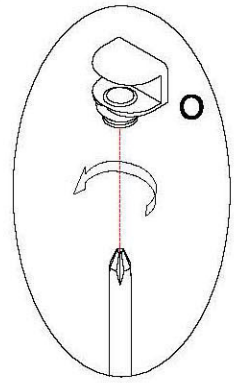
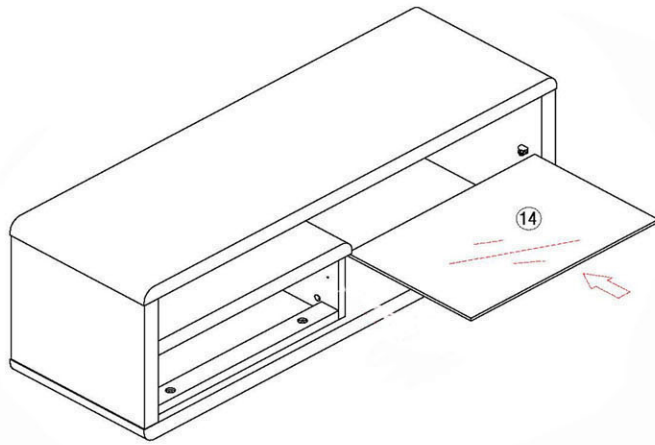




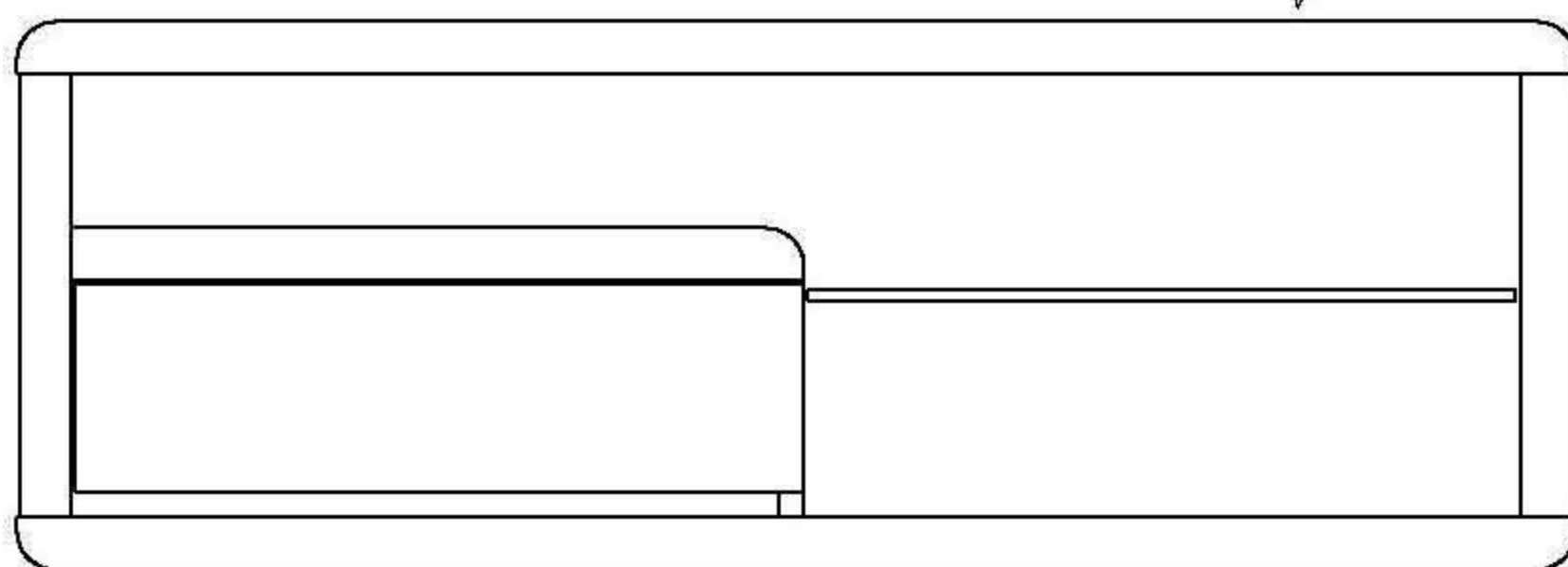
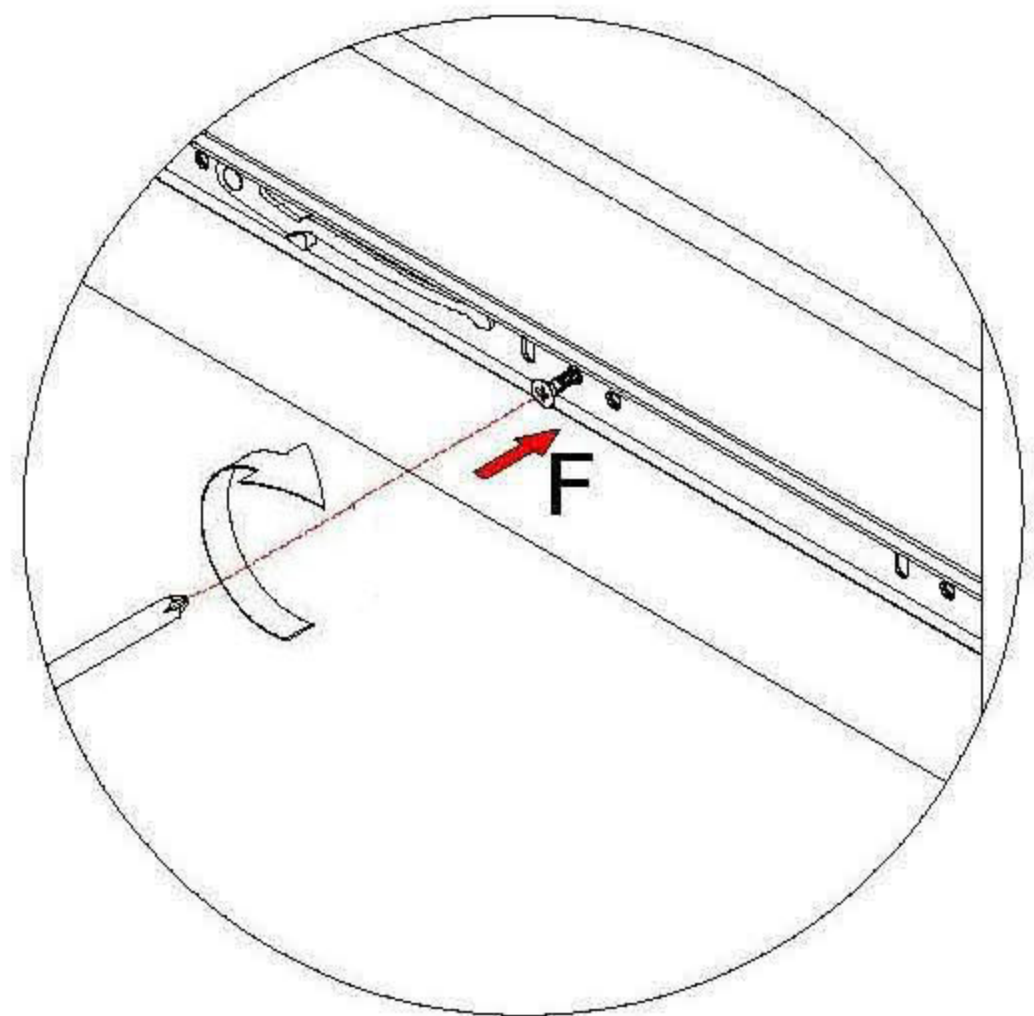
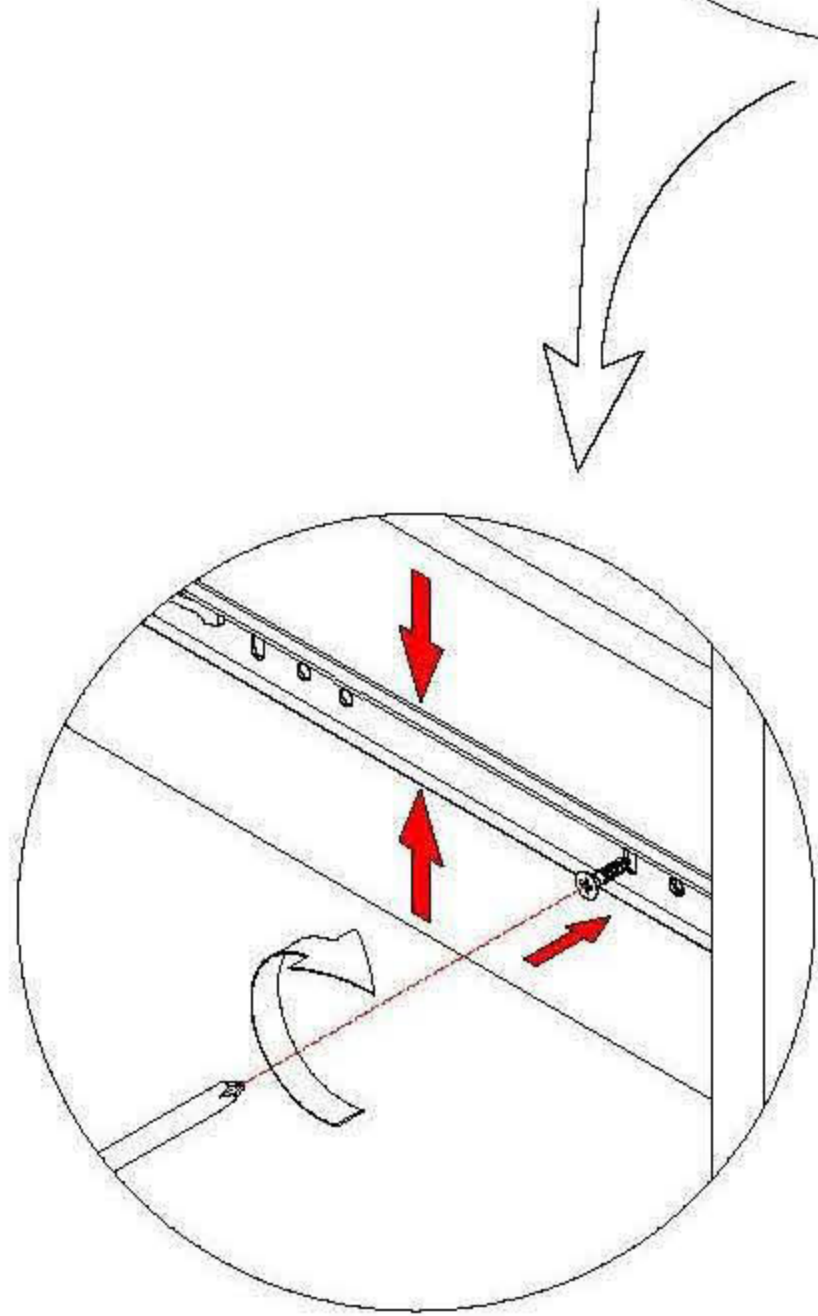
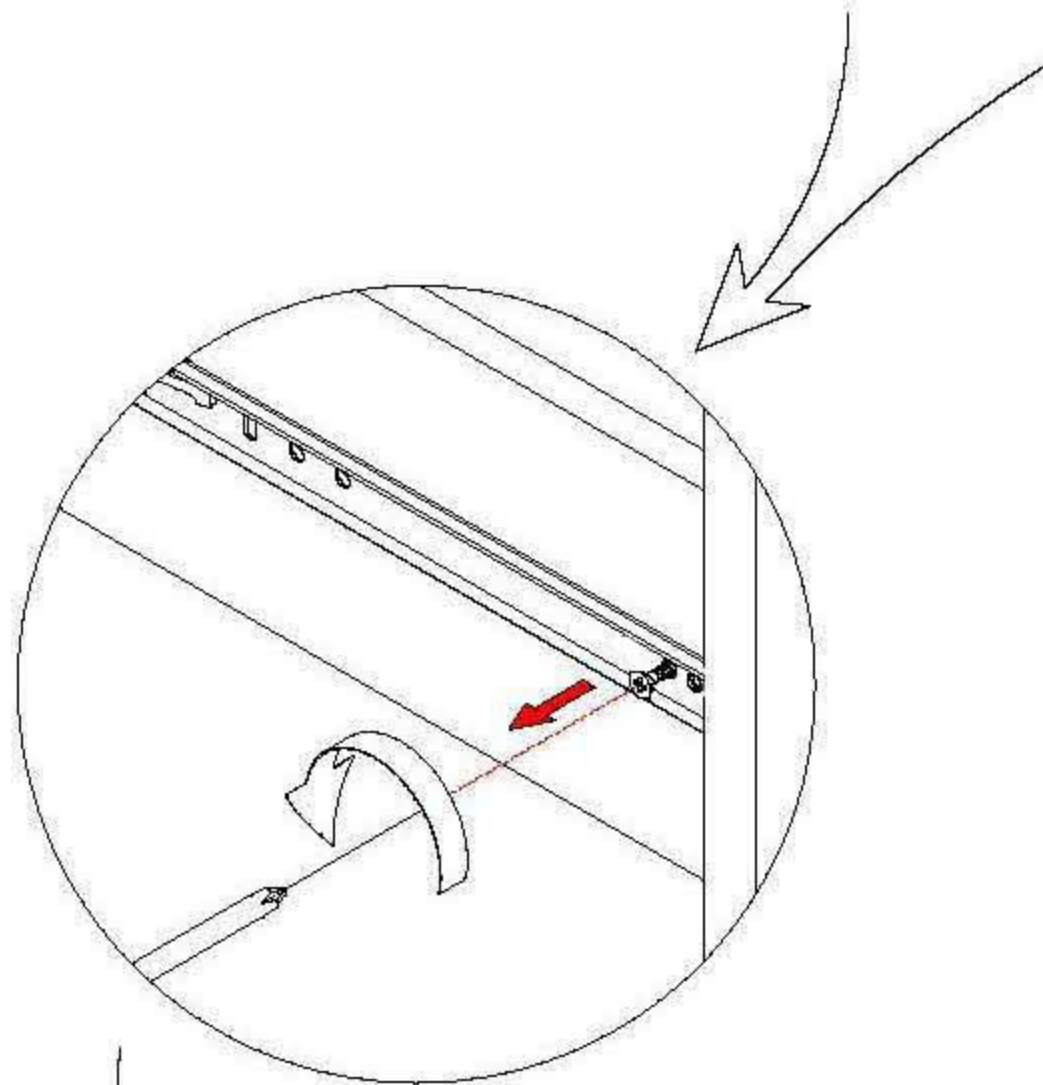
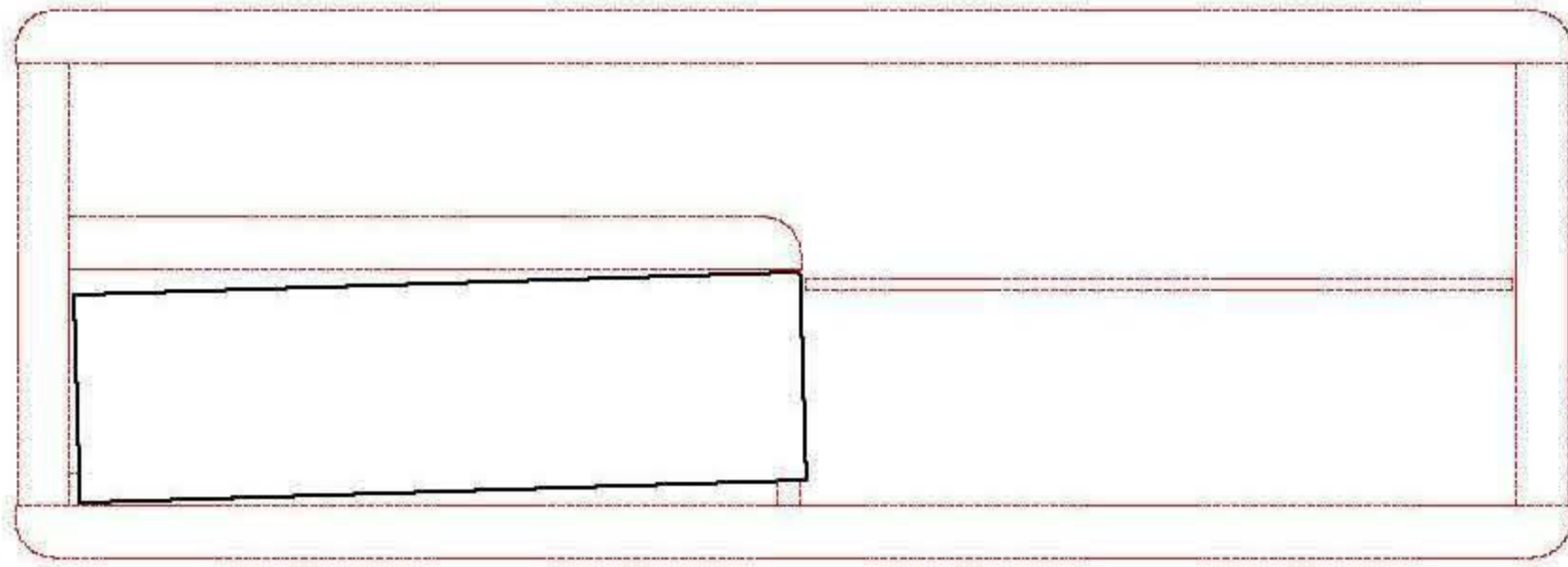
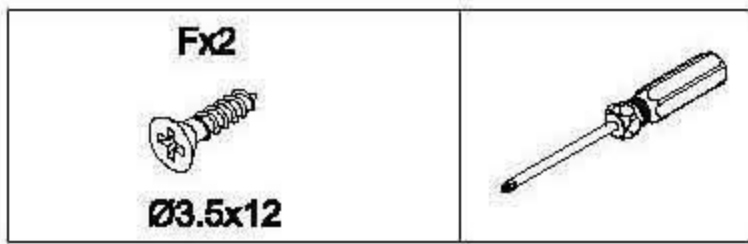








OK



OK