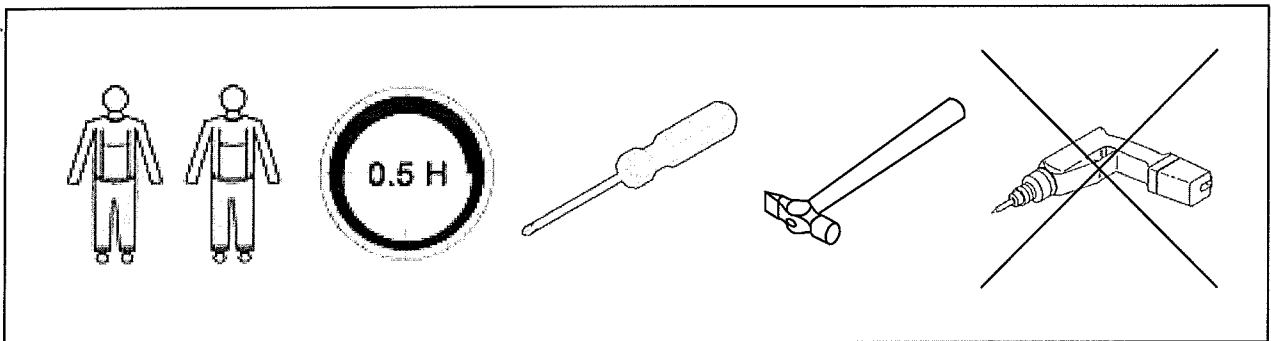
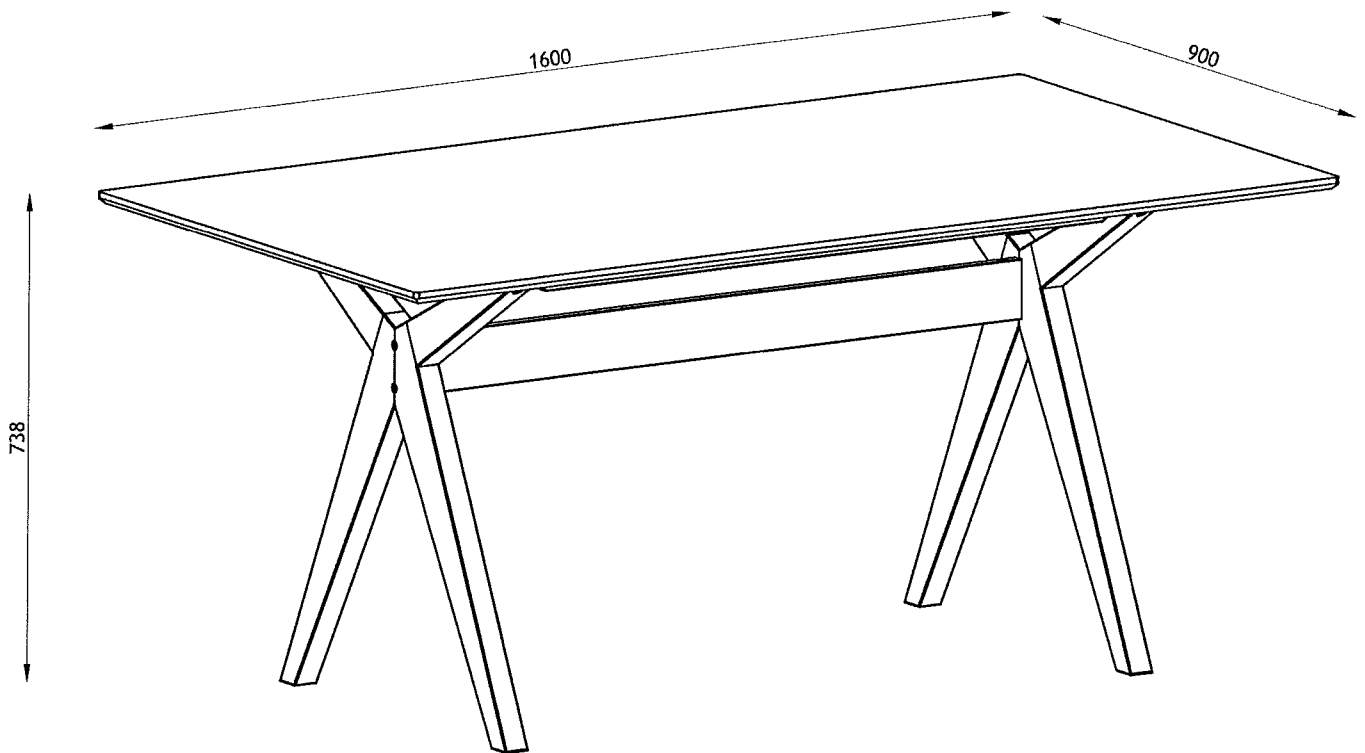
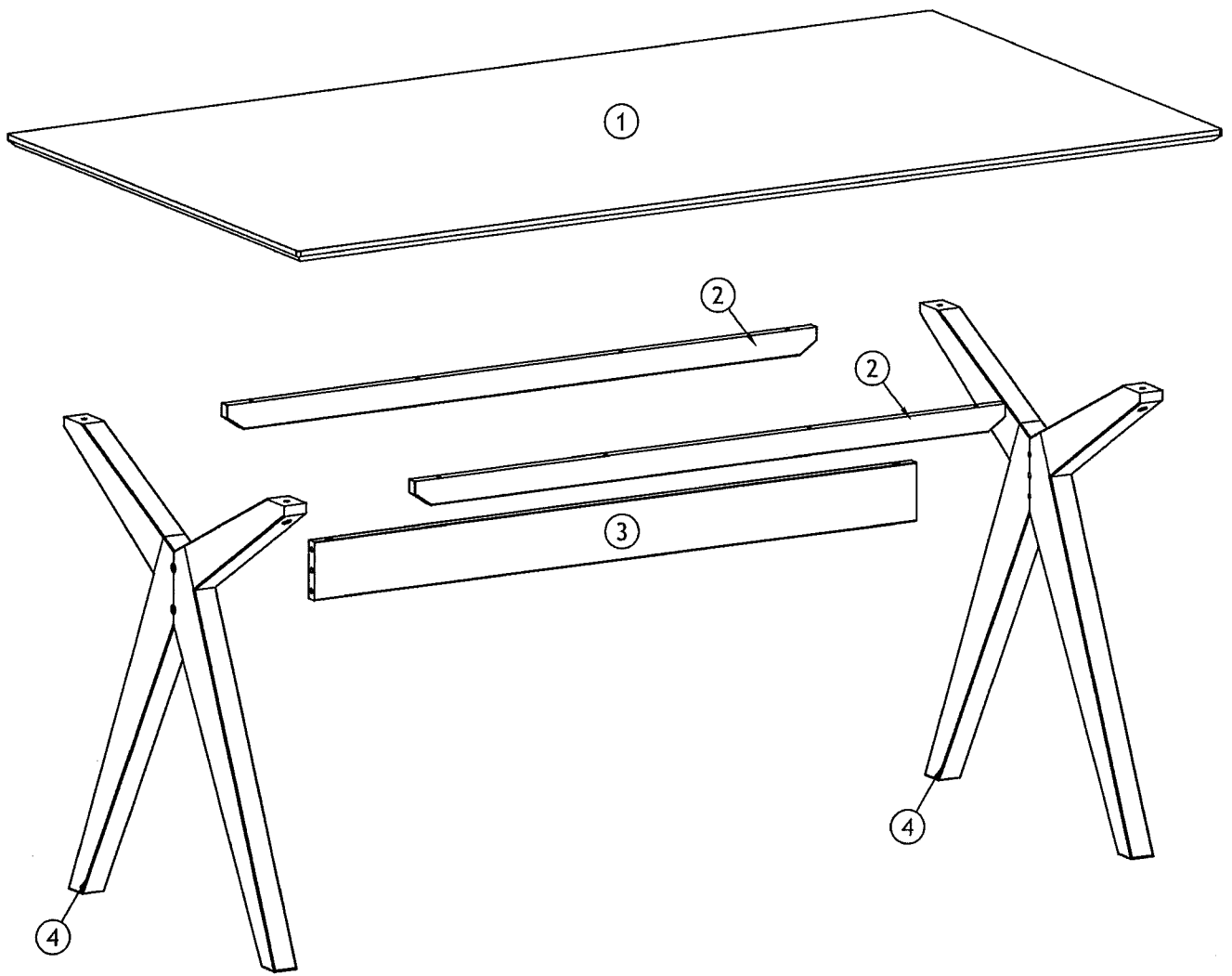
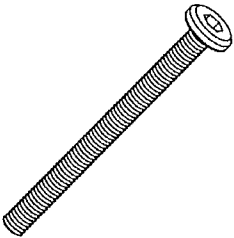
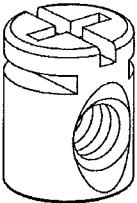
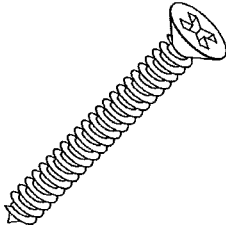
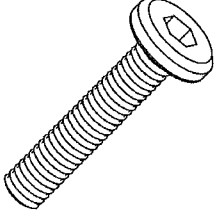
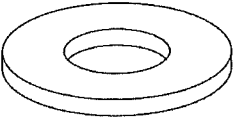

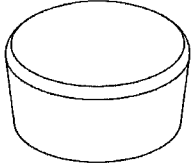

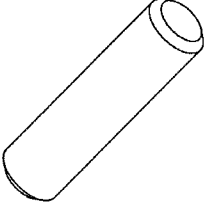


SCISSOR

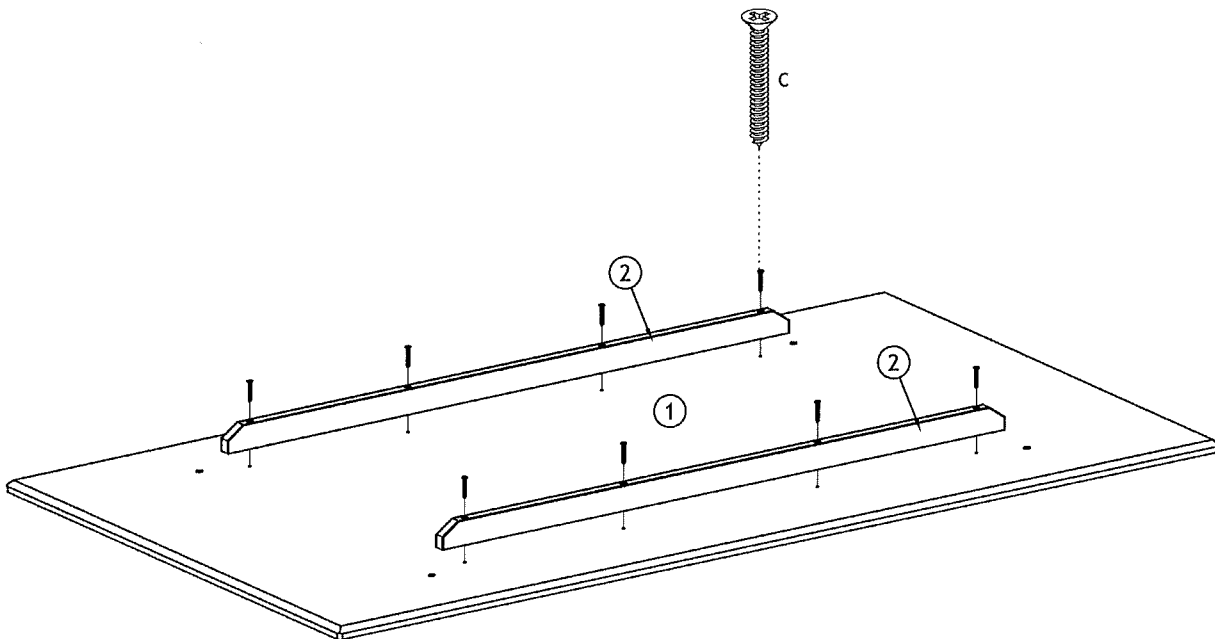
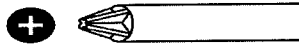





No.	Size	QTY
1	1600 x 900 x 18mm	1
2	1020 x 40 x 18mm	2
3	1040 x 90 x 18mm	1
4	720 x 680 x 39mm	2

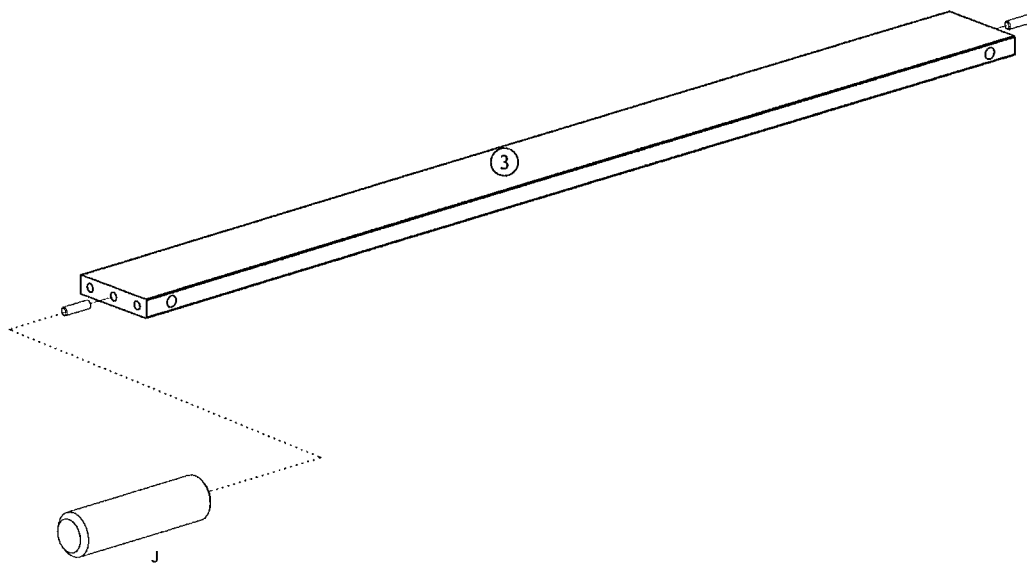
<p>A x 4</p>  <p>M6x70 mm</p>	<p>B x 4</p>  <p>M6/Ø10X12,5/5mm</p>	<p>C x 8</p>  <p>Ø4x32 mm</p>	<p>D x 4</p>  <p>M6x30 mm</p>
<p>E x 8</p>  <p>M6/Ø13x1 mm</p>	<p>F x 1</p>  <p>4 mm</p>	<p>G x 4</p>  <p>Ø14,5x9mm</p>	<p>H x 4</p>  <p>Ø22x3 mm</p>
<p>J x 2</p>  <p>Ø8x30 mm</p>			


1

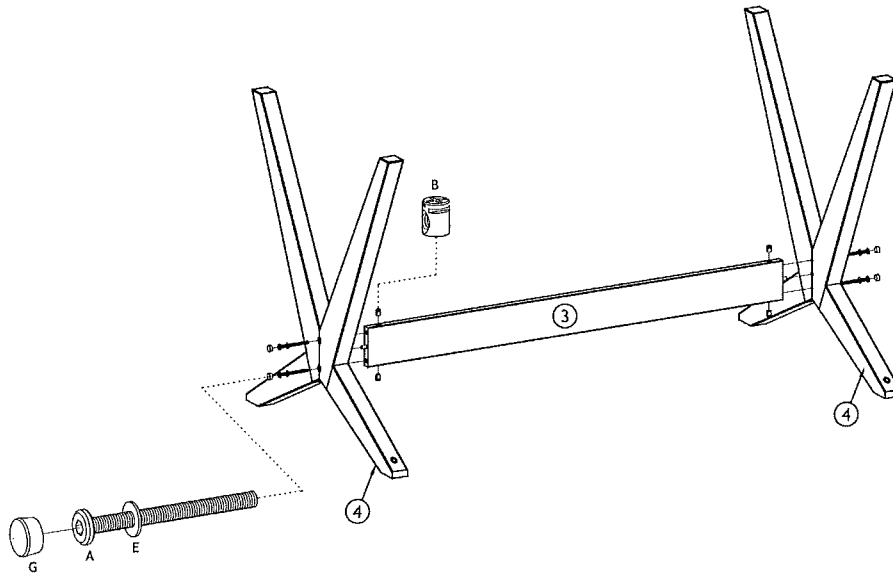







C	Ø4x32 mm		8
---	----------	---	---

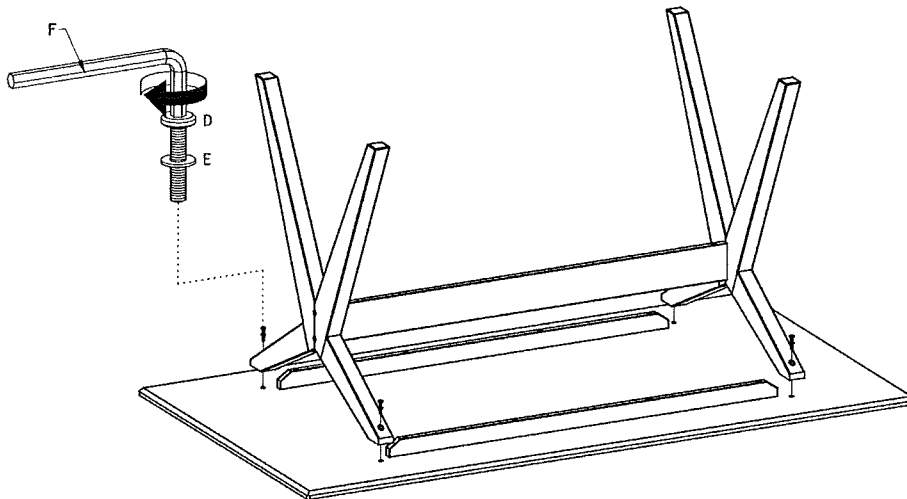
2






J	Ø8x30 mm		2
---	----------	---	---

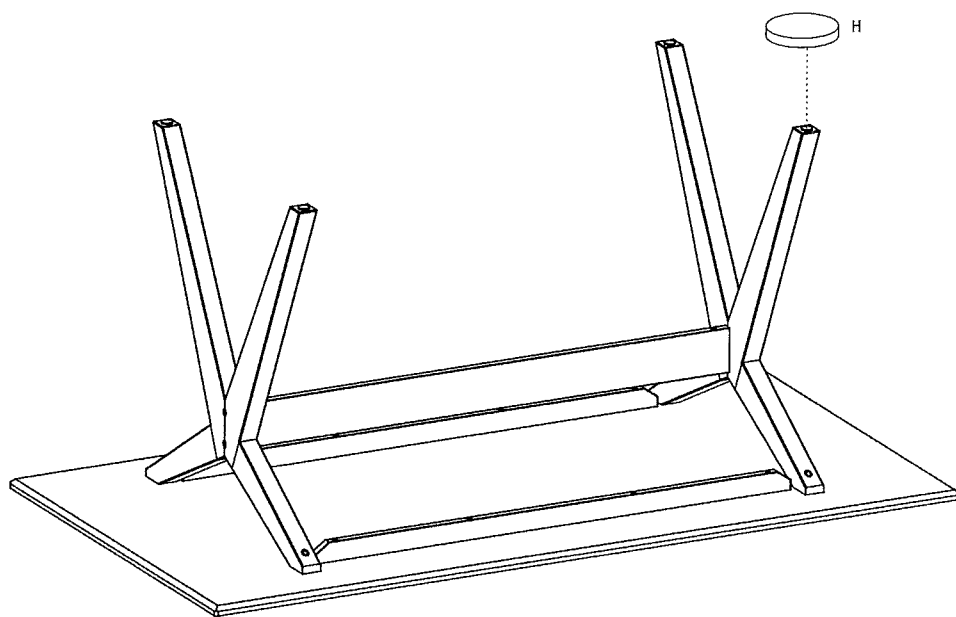



A	M6x70 mm		4	F	4/32x70mm		1
B	M6/Ø10x12.5/5mm		4	G	Ø14.5x9mm		4
E	M6/Ø13x1mm		4				



D	M6x30 mm		4	F	4/32x70mm		1
E	M6/Ø13x1mm		4				

5



H	Ø22x3 mm		4
---	----------	---	---

6

