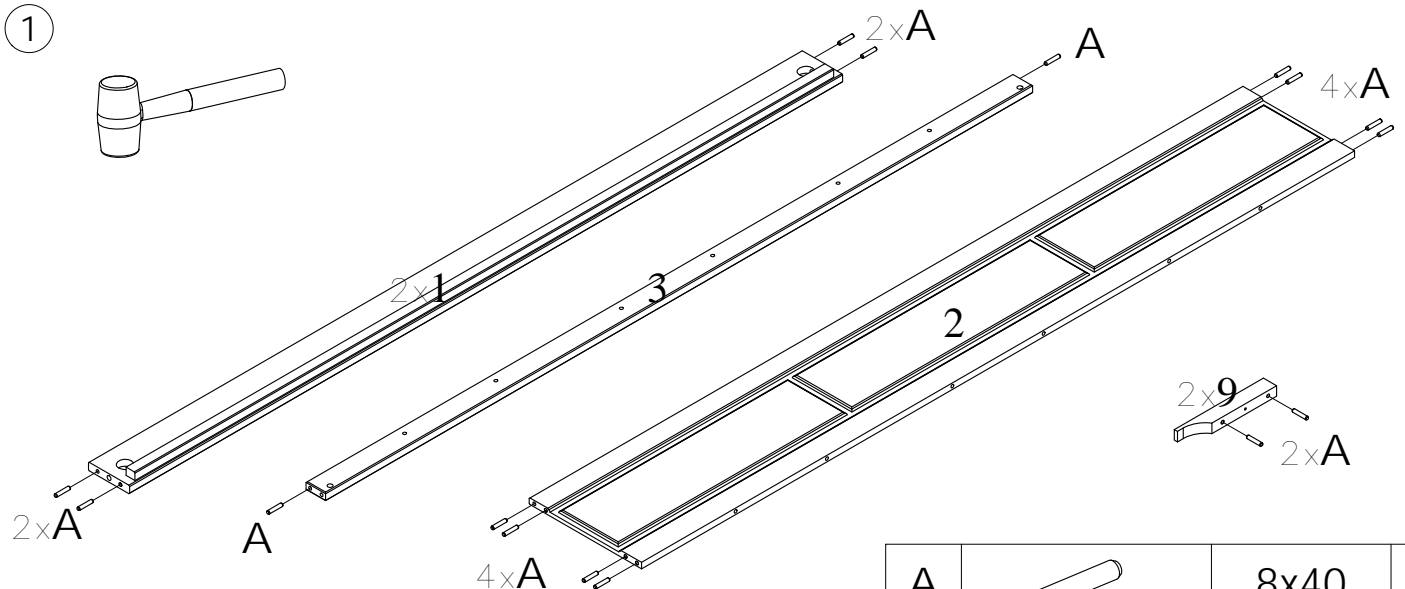


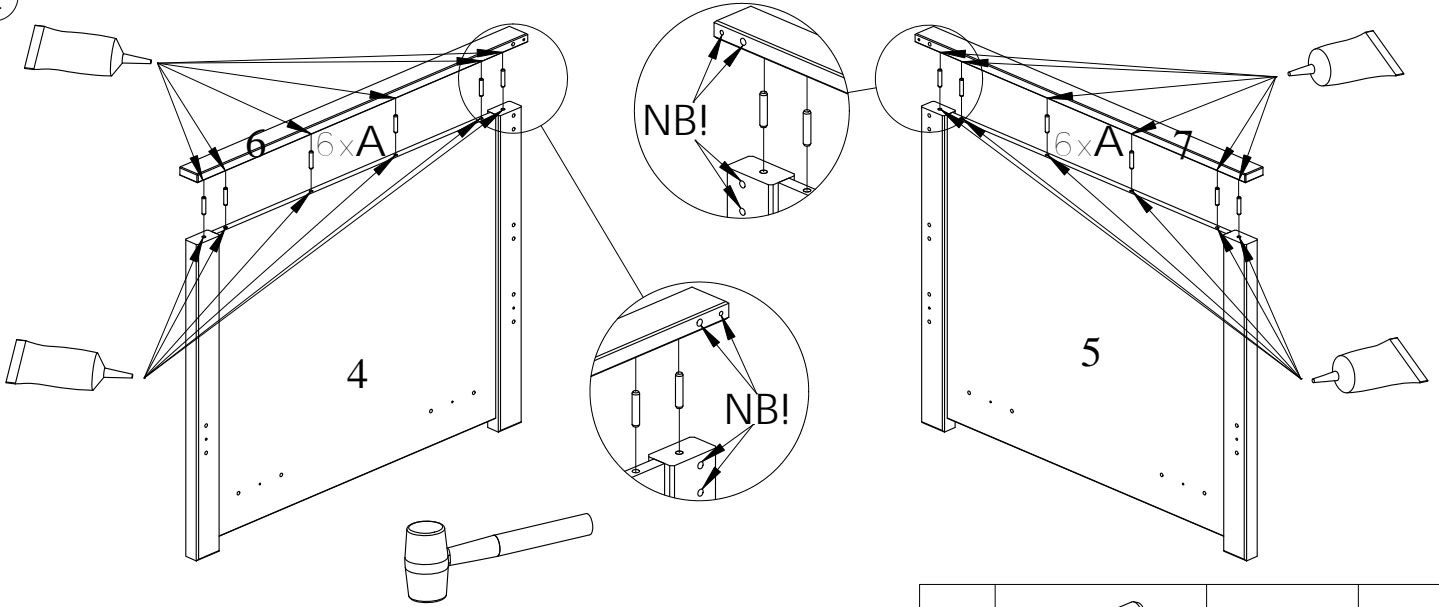
A		8x40	x40
B		7x60	x4
C		D35	x4
D		6,1x24x35	x2
E		D12x10	x2

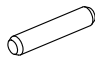
F		5x50	x2
G		3,5x40	x8
H		GLUE	x1
J		4mm	x1



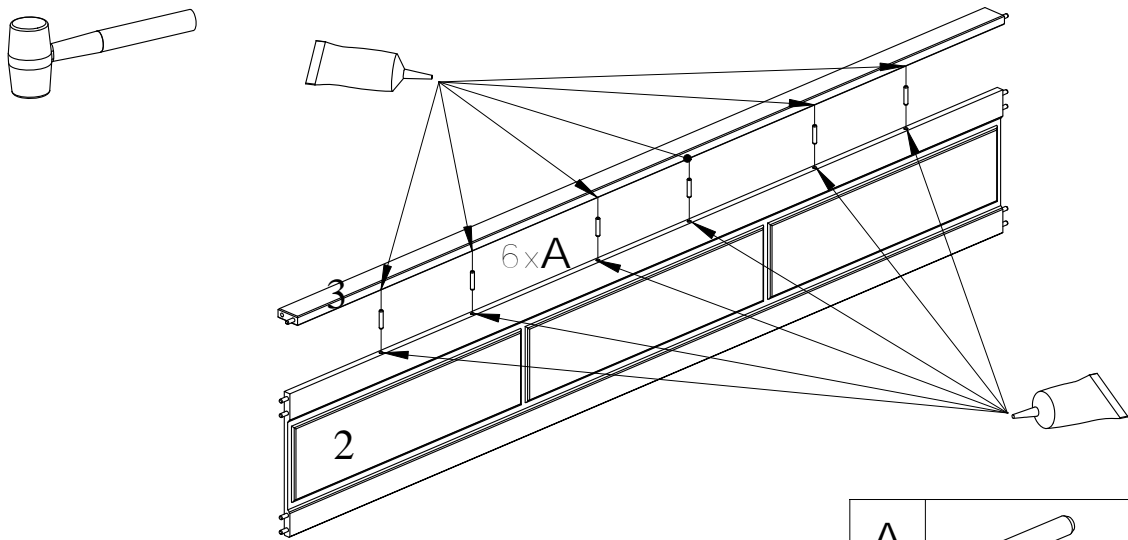
A		8x40	x22
---	--	------	-----


2



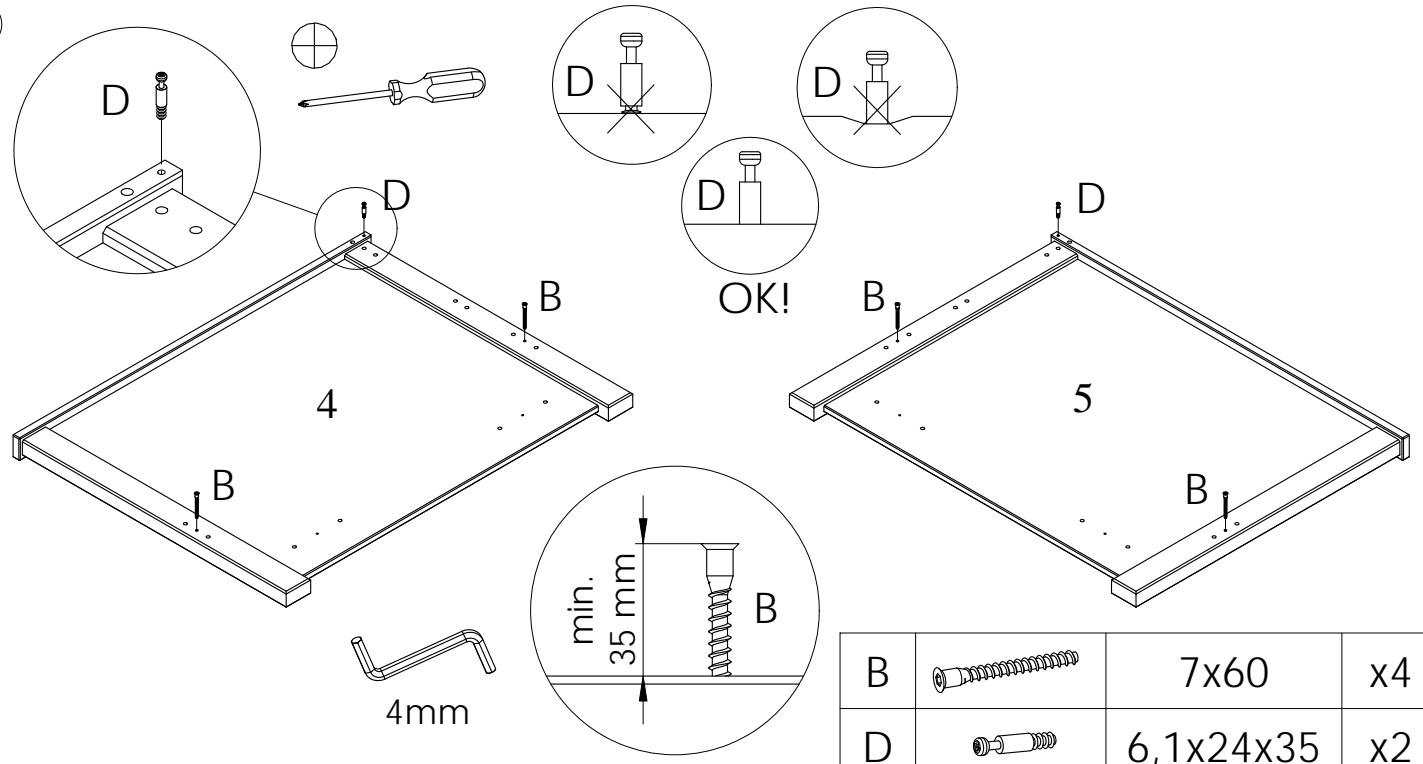
A		8x40	x12
---	---	------	-----


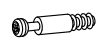
3



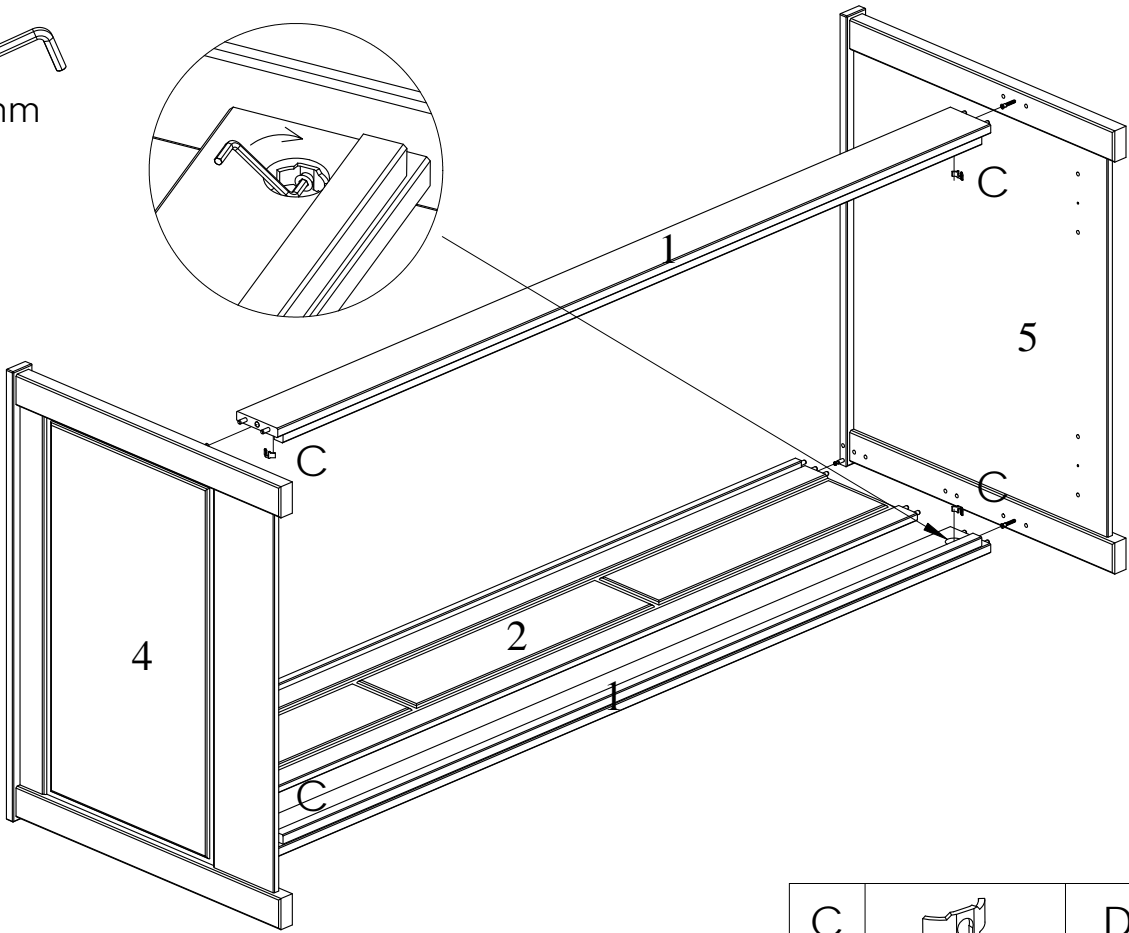
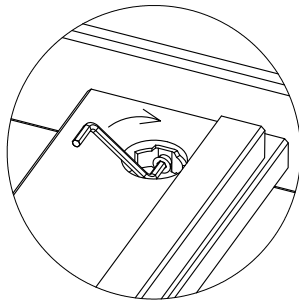
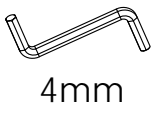
A		8x40	x6
---	---	------	----

4



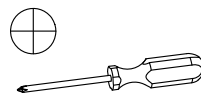
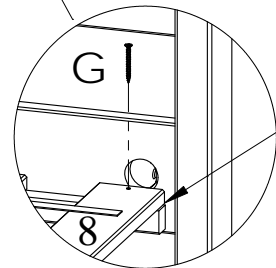
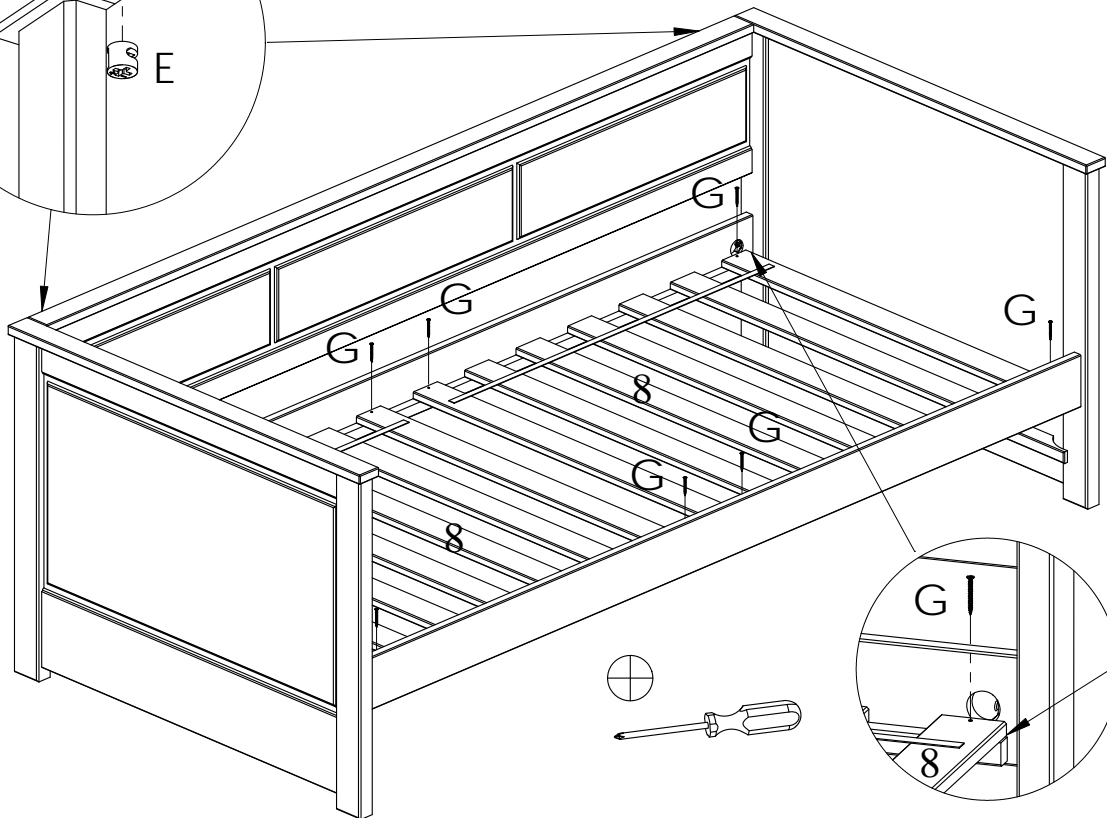
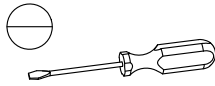
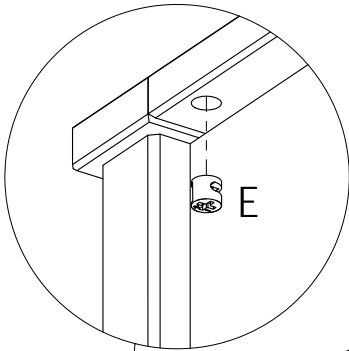
B		7x60	x4
D		6,1x24x35	x2

5



C		D35	x4
---	--	-----	----

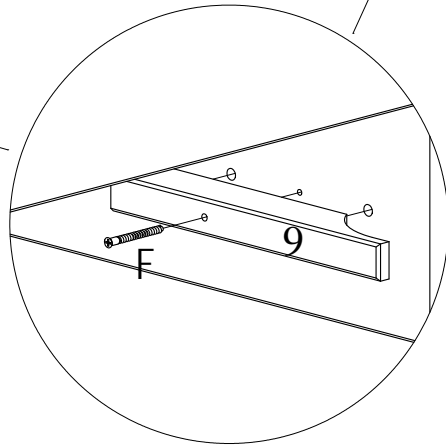
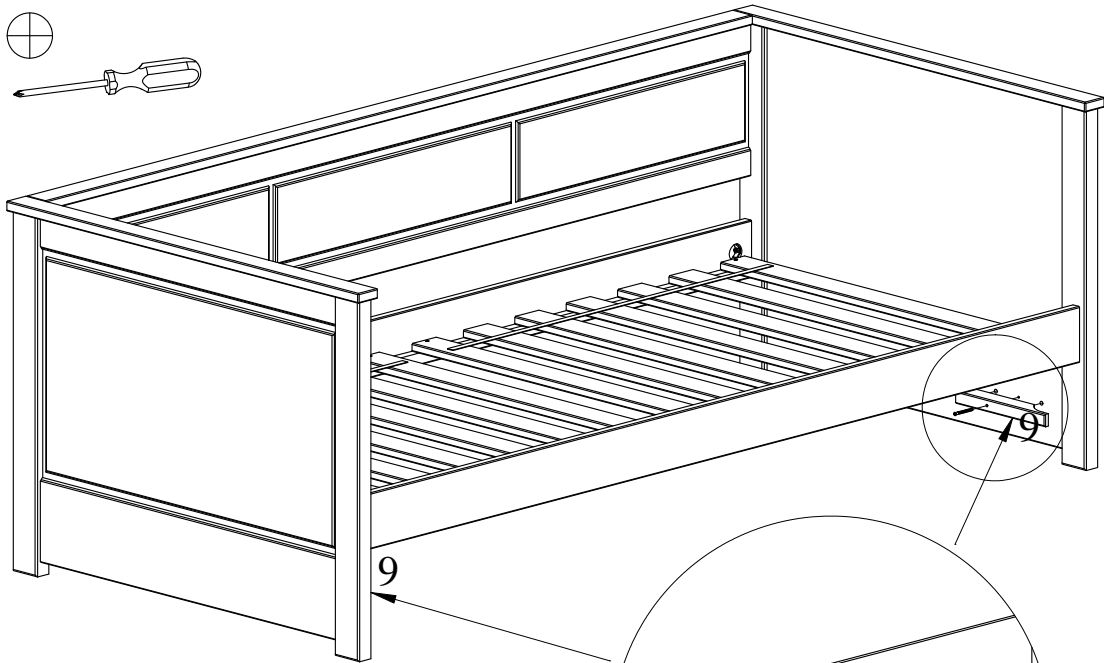
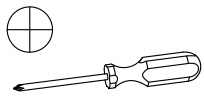
6



E		D12x10	x2
---	--	--------	----

G		3,5x40	x8
---	--	--------	----

7



F



5x50

x2