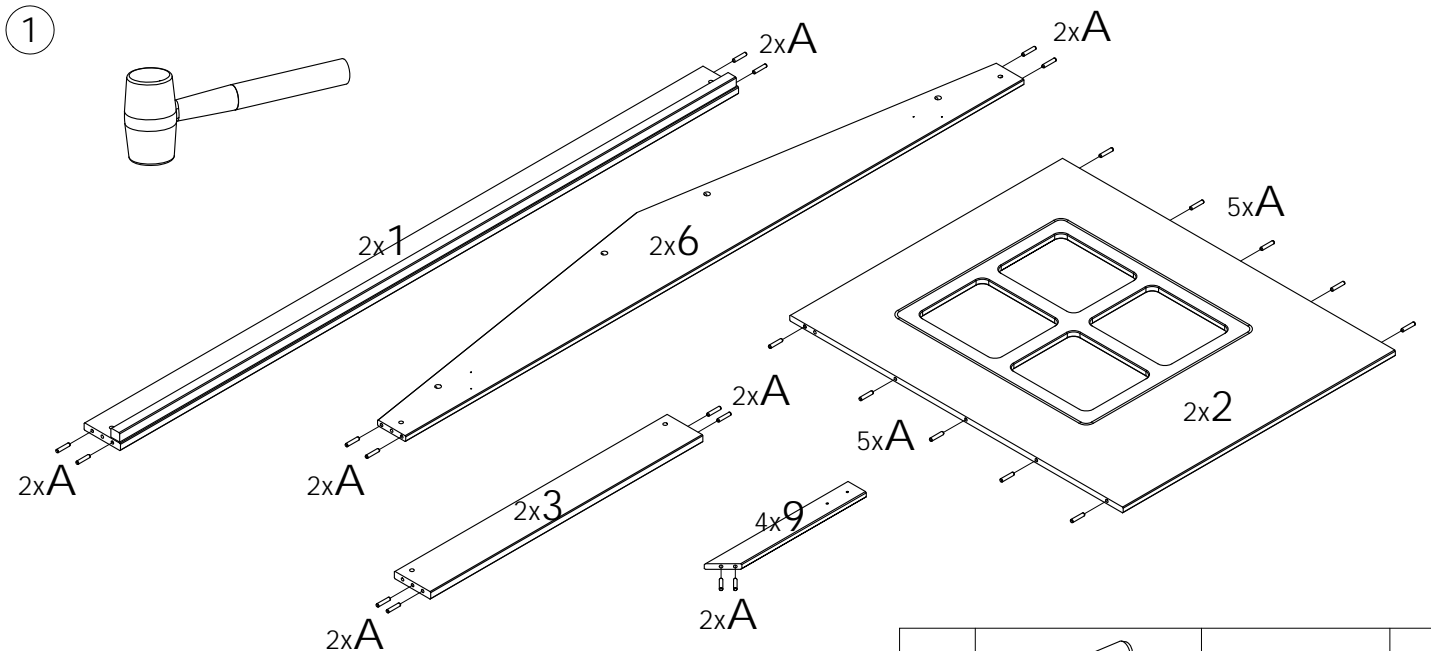


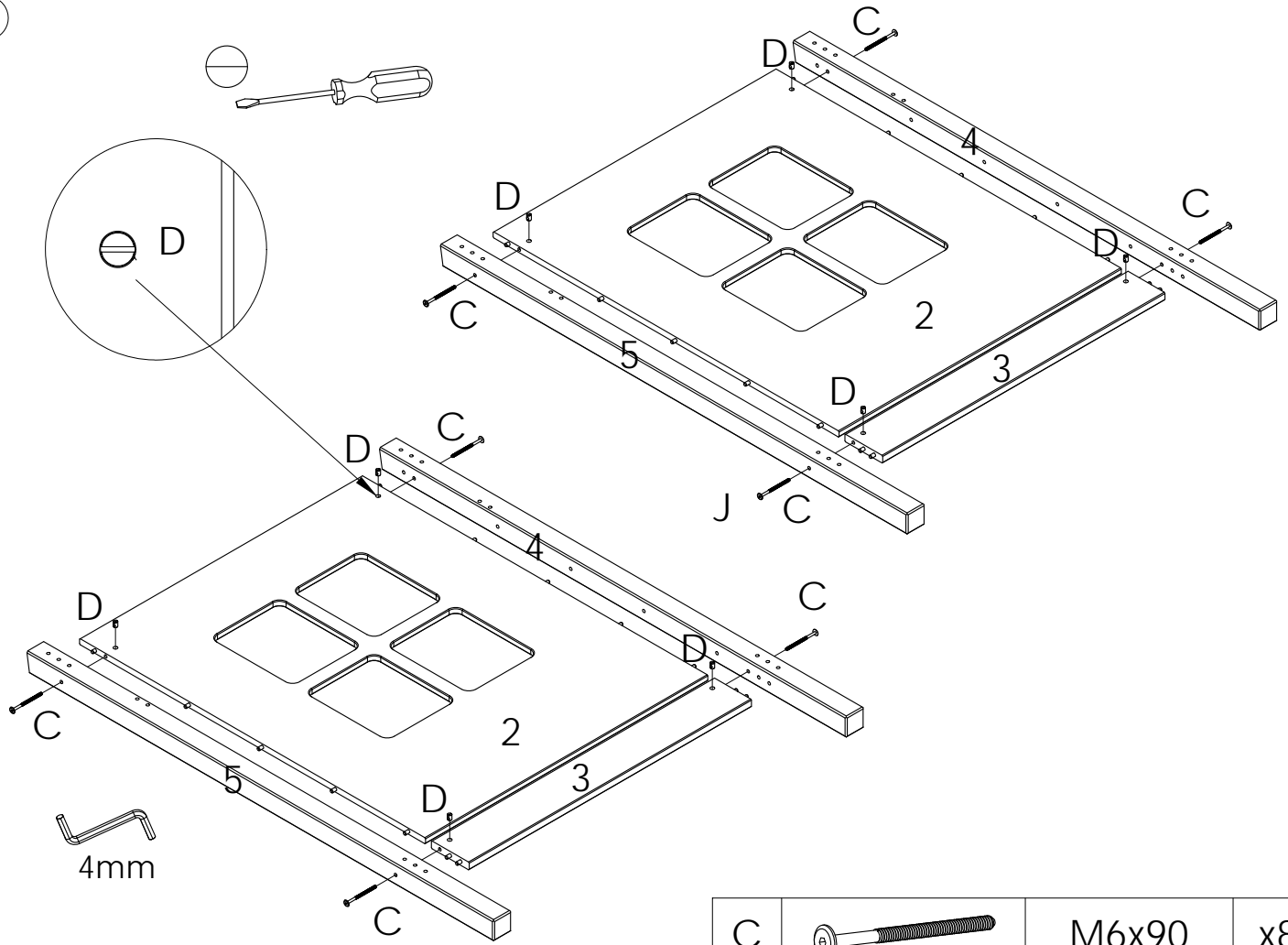
A		8x40	x52
B		8x30	x12
C		M6x90	x16
D		M6x10x13	x16
E		7x34	x8
F		D15x12	x8



G		4x25	x8
H		3,5x40	x6
K		GLUE	x1
L		4mm	x1



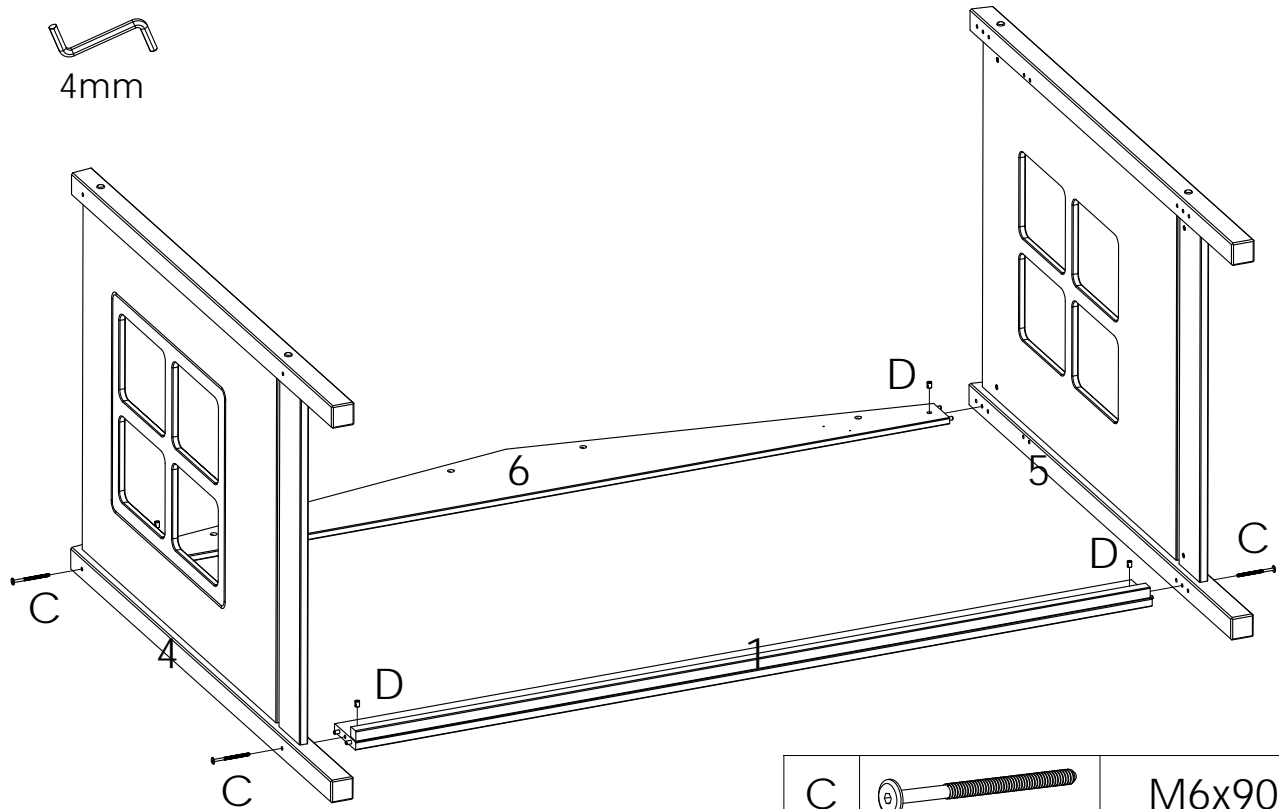
A		8x40	x52
---	--	------	-----



2



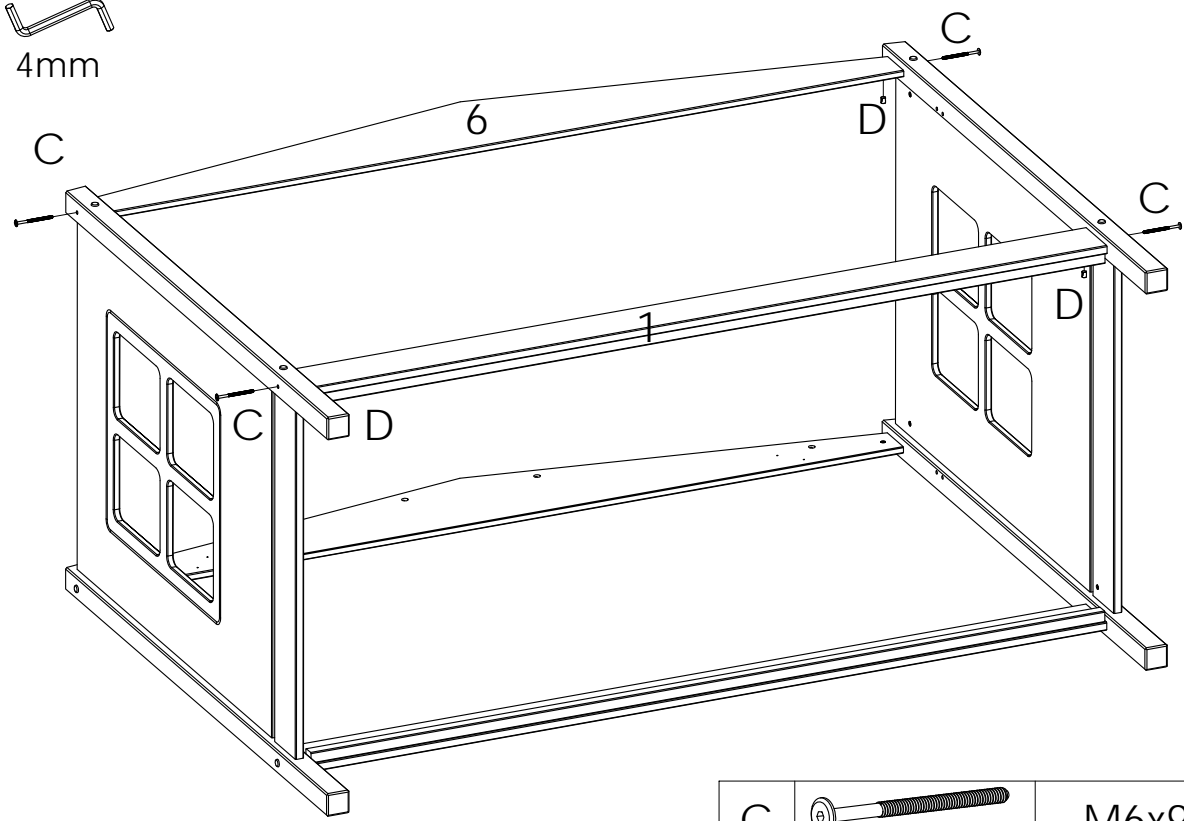
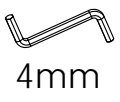
C		M6x90	x8
D		M6x10x13	x8



3



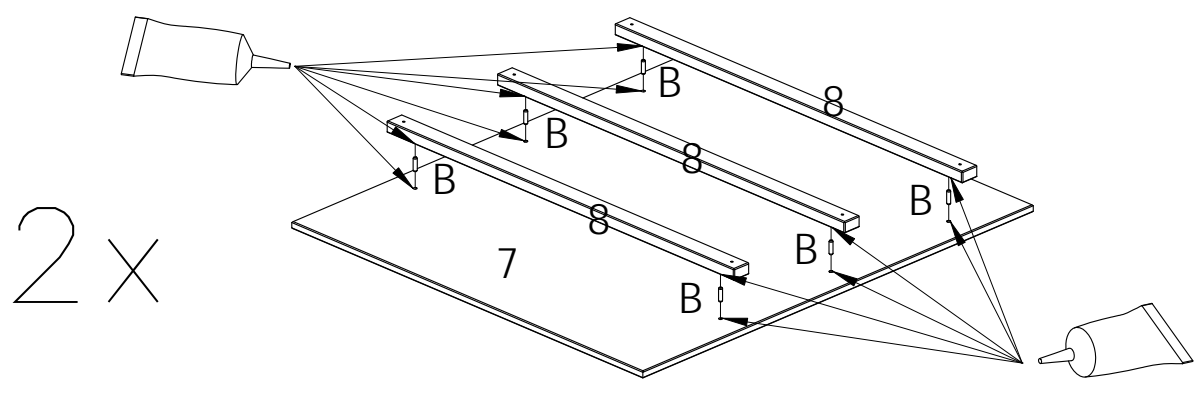
C		M6x90	x4
D		M6x10x13	x4

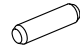
4



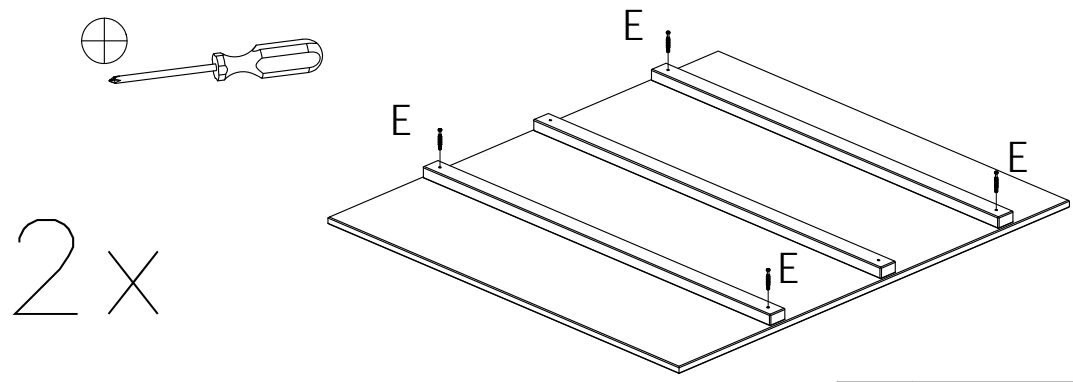
C		M6x90	x4
D		M6x10x13	x4

5



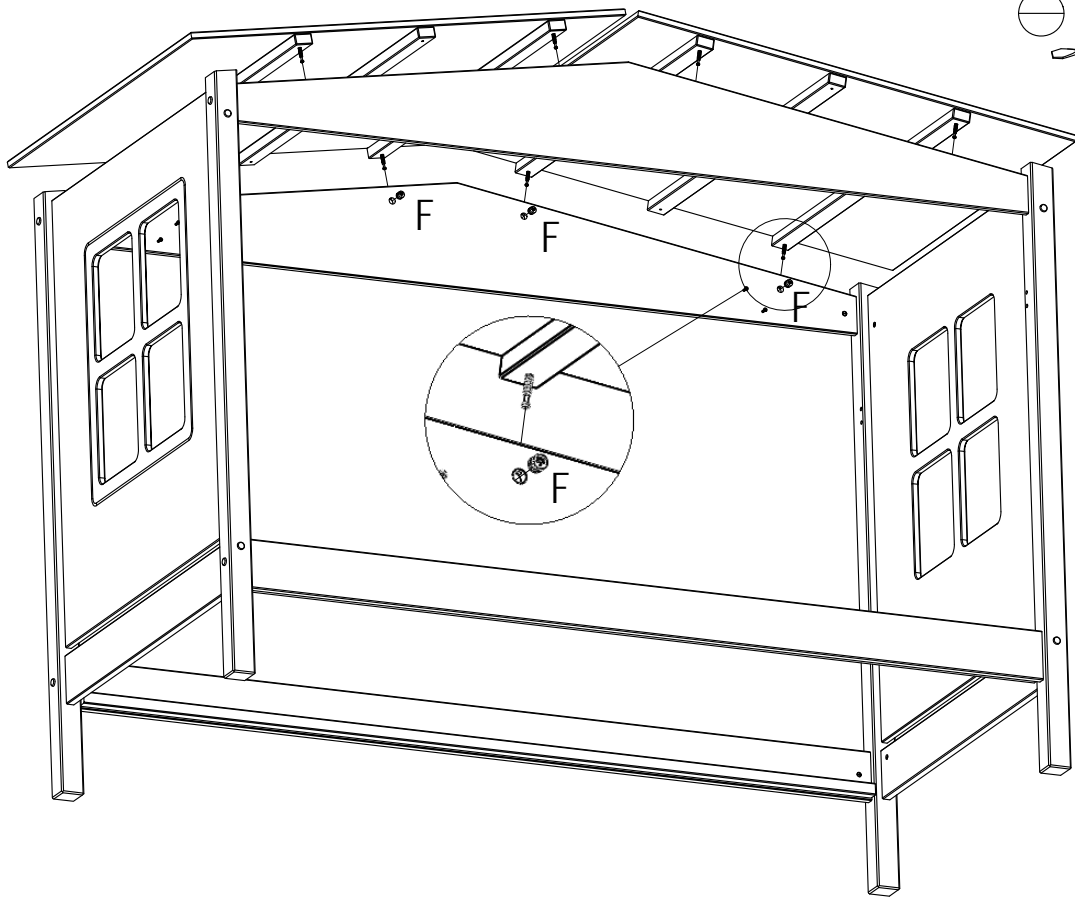
B		8x30	x12
---	---	------	-----


6



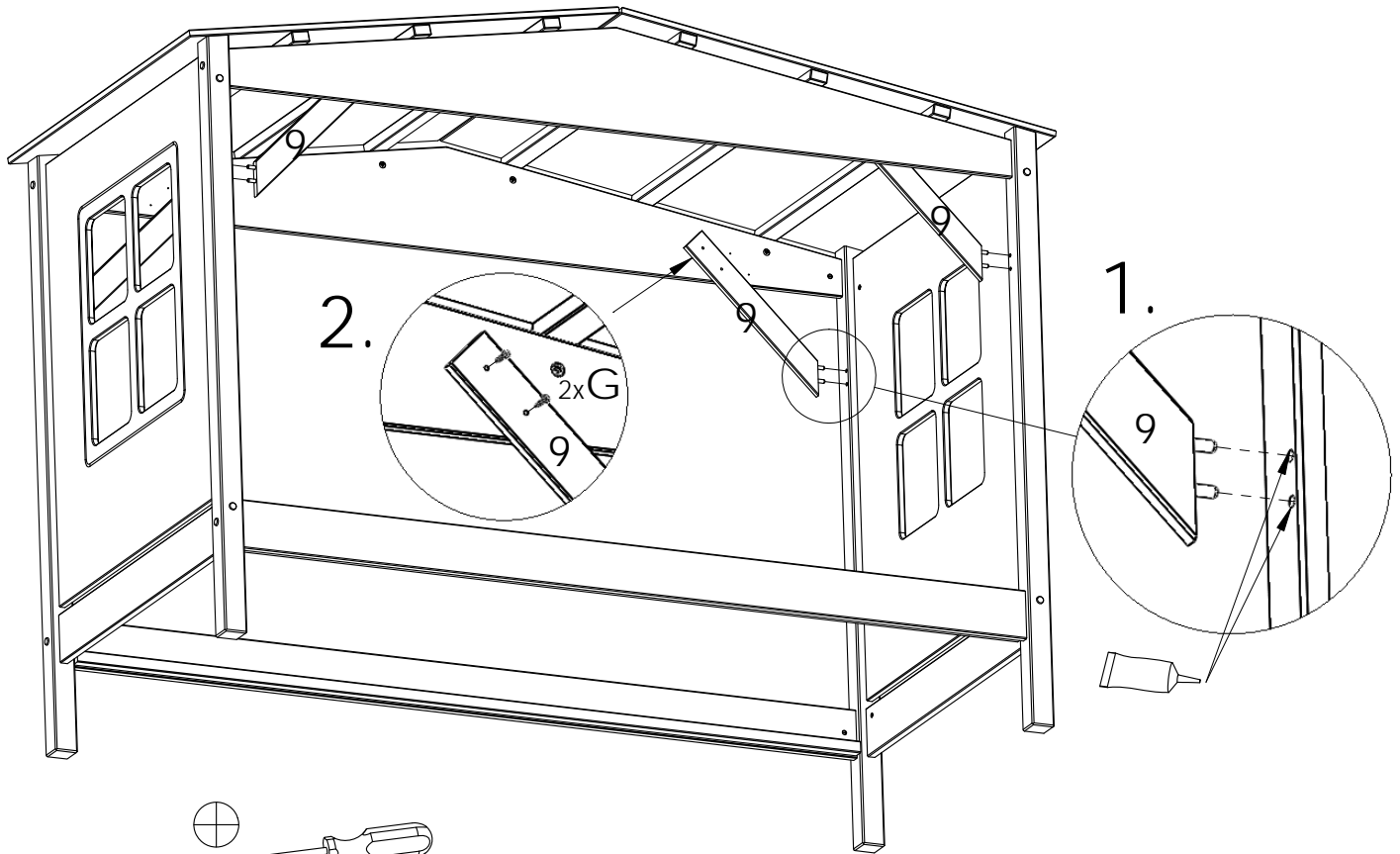
E		D15x12	x8
---	---	--------	----

7



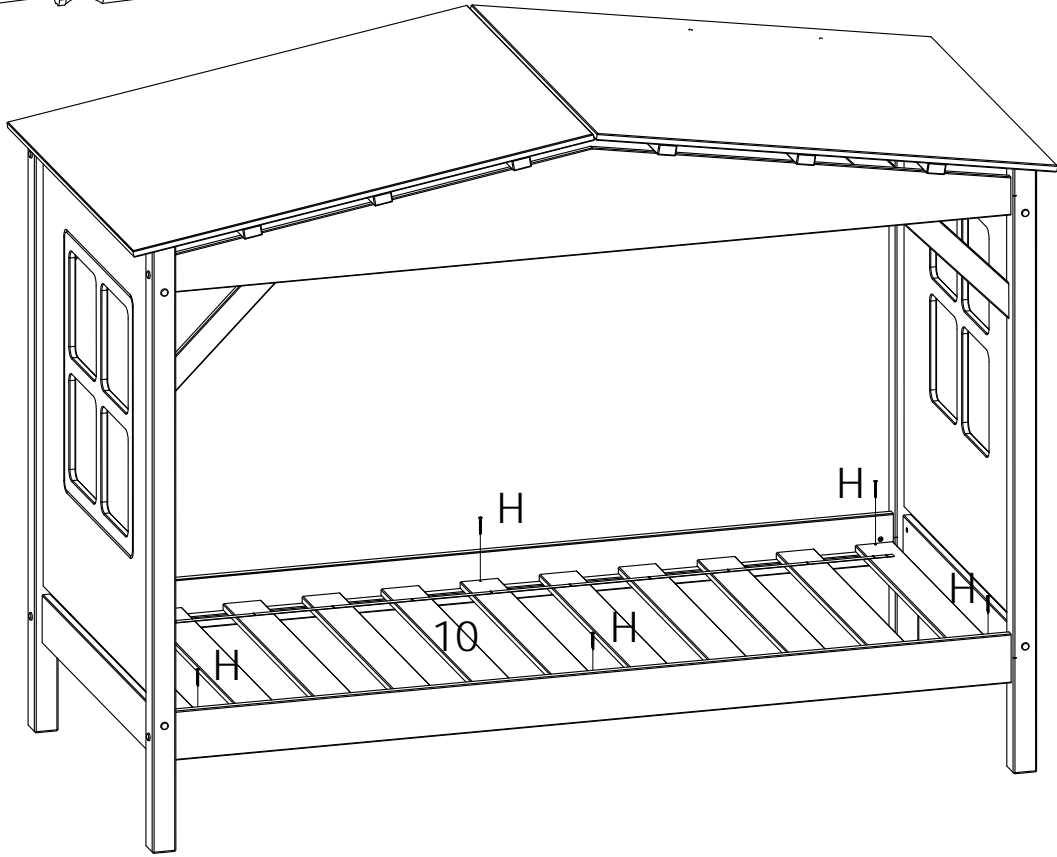
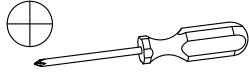
F		D15x12	x8
---	---	--------	----

8



G		4x25	x8
---	---	------	----

9



H



3,5x40

x6