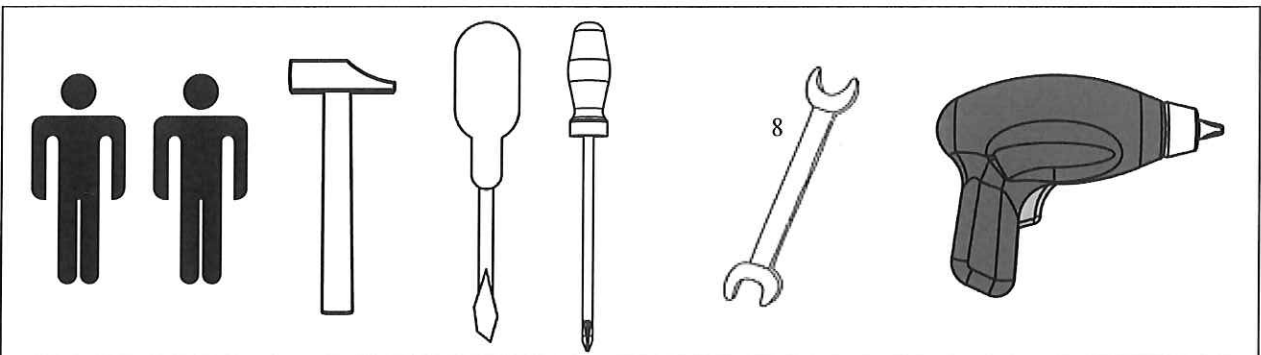
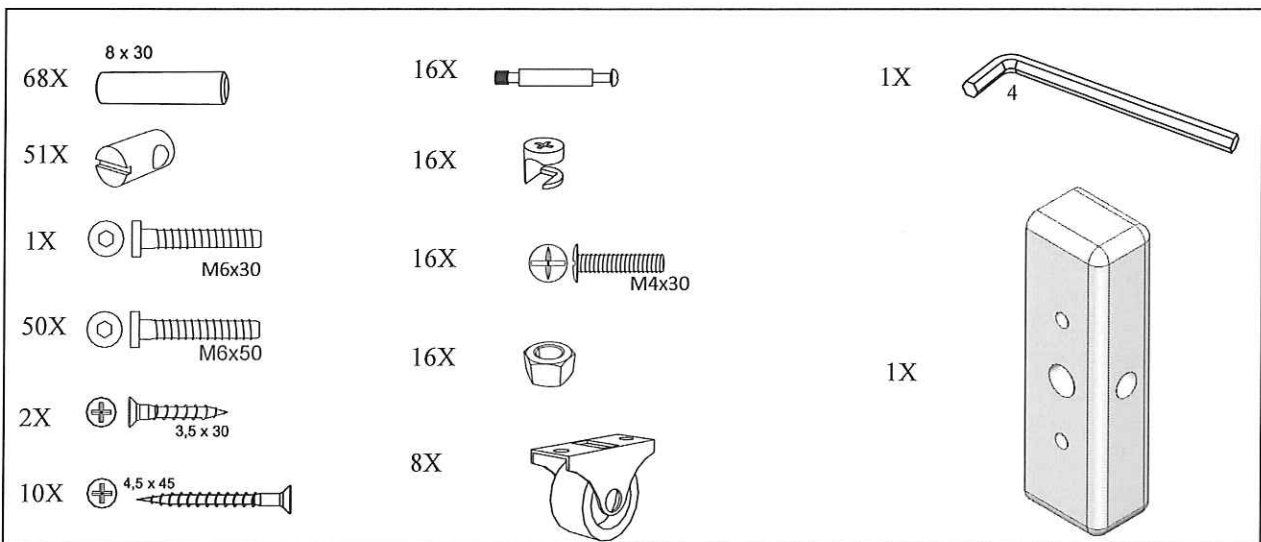
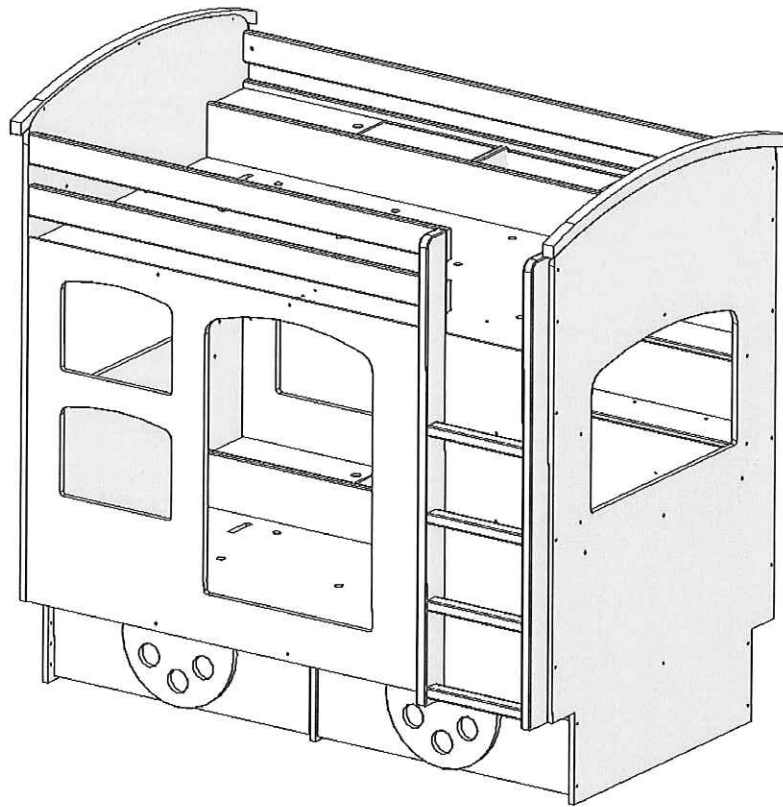
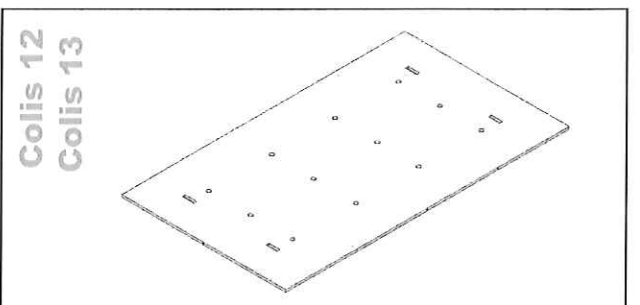
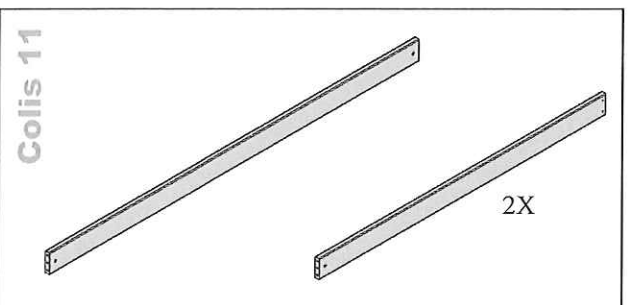
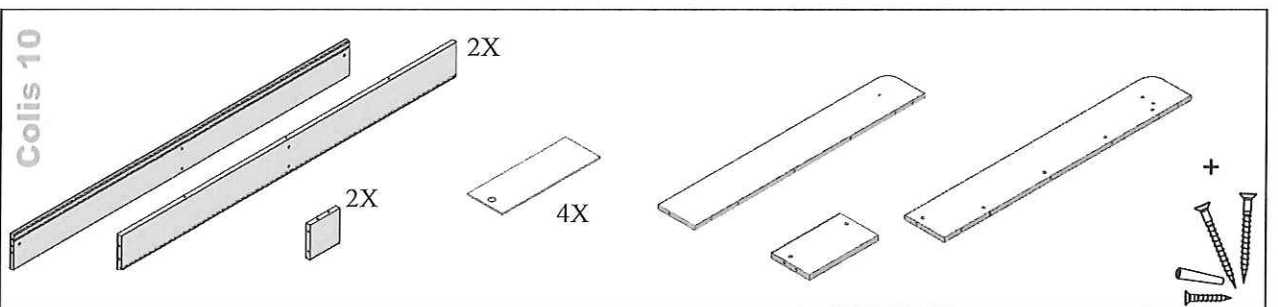
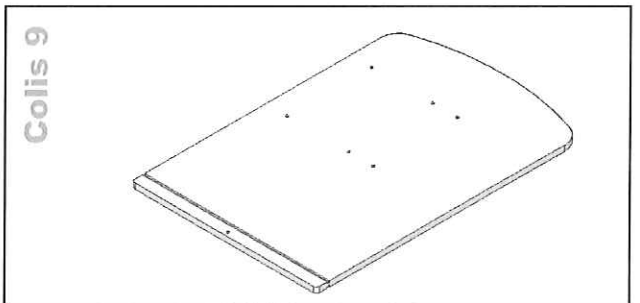
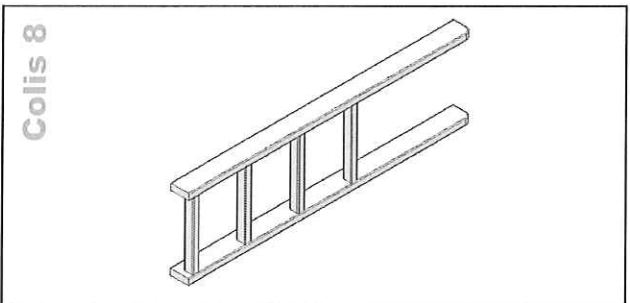
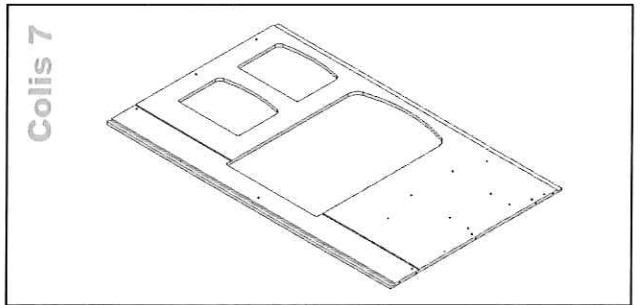
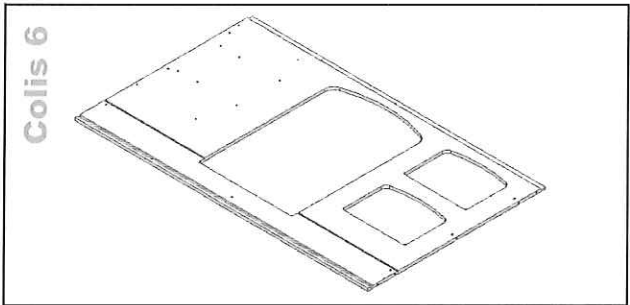
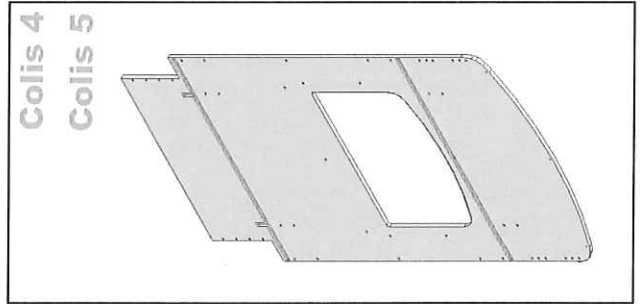
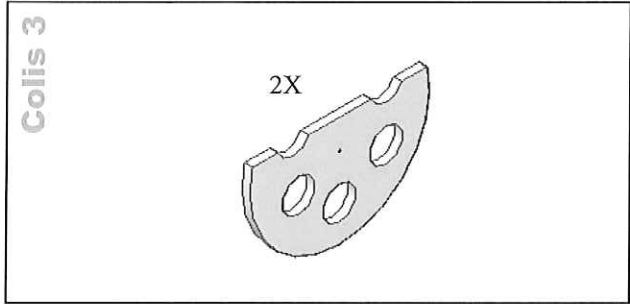
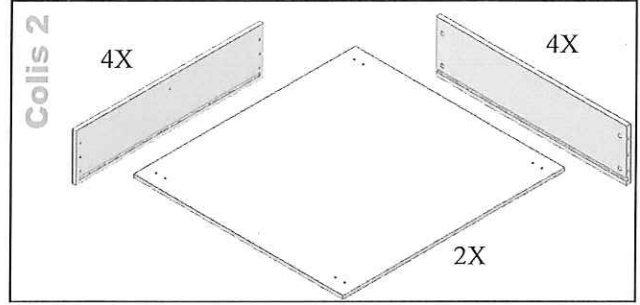
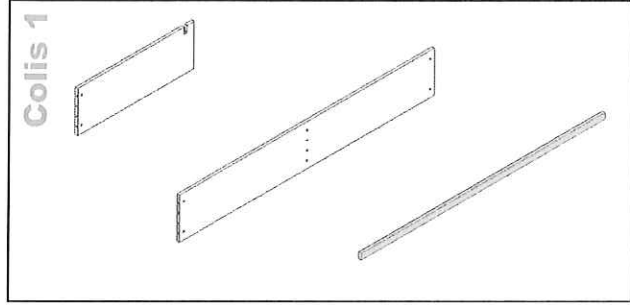




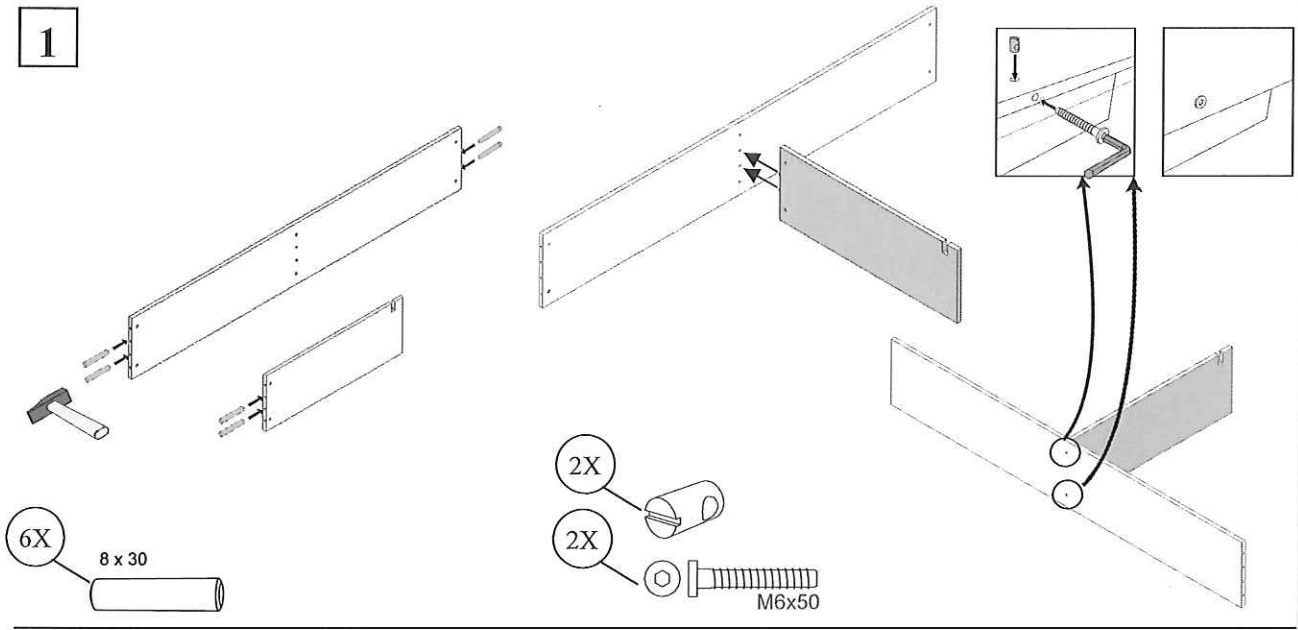
# Wagon.



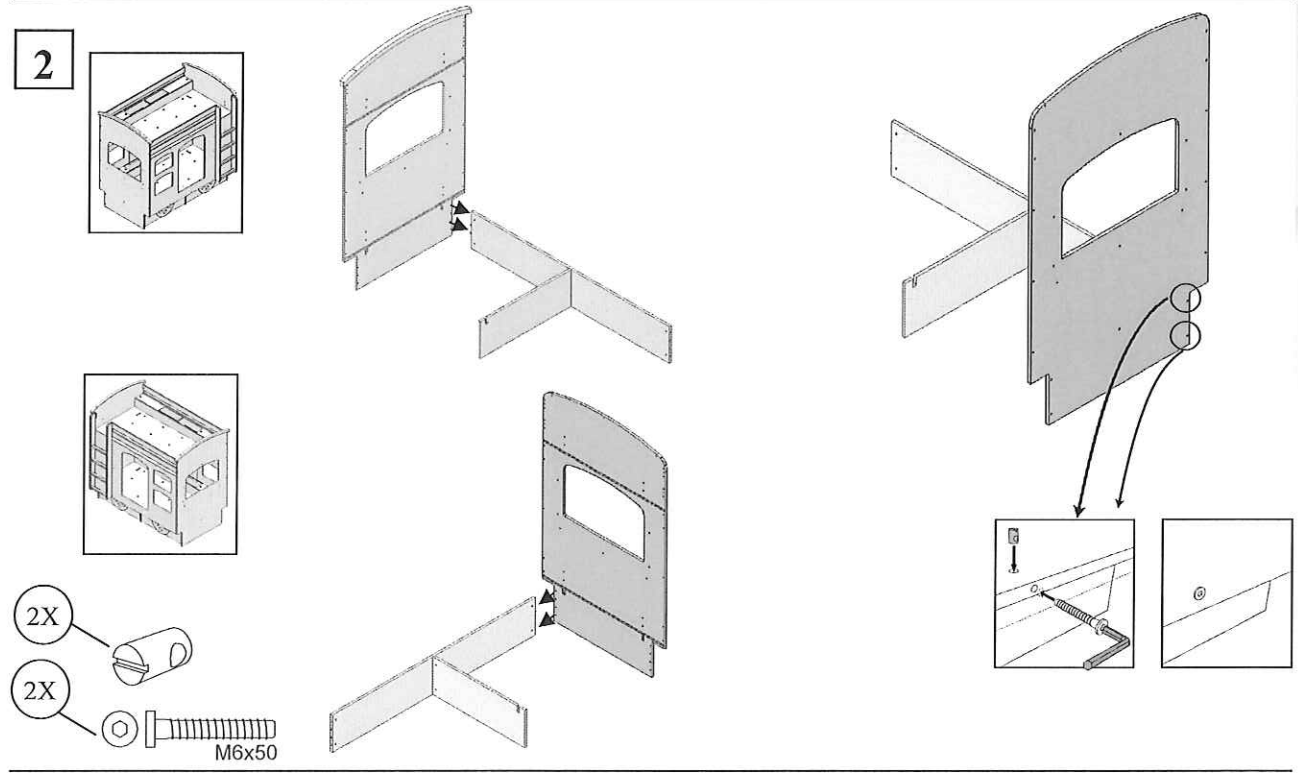




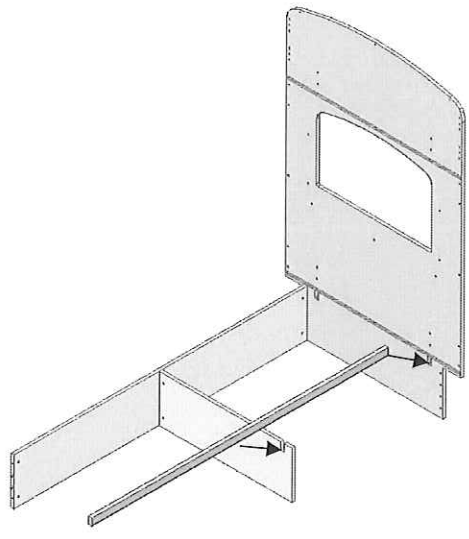
1



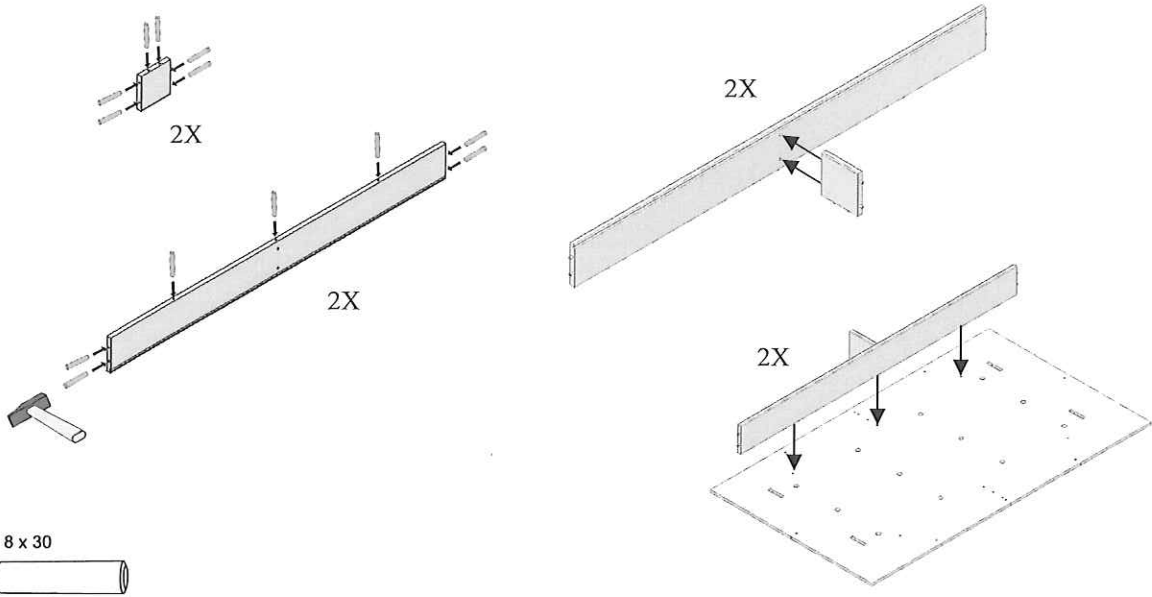
2



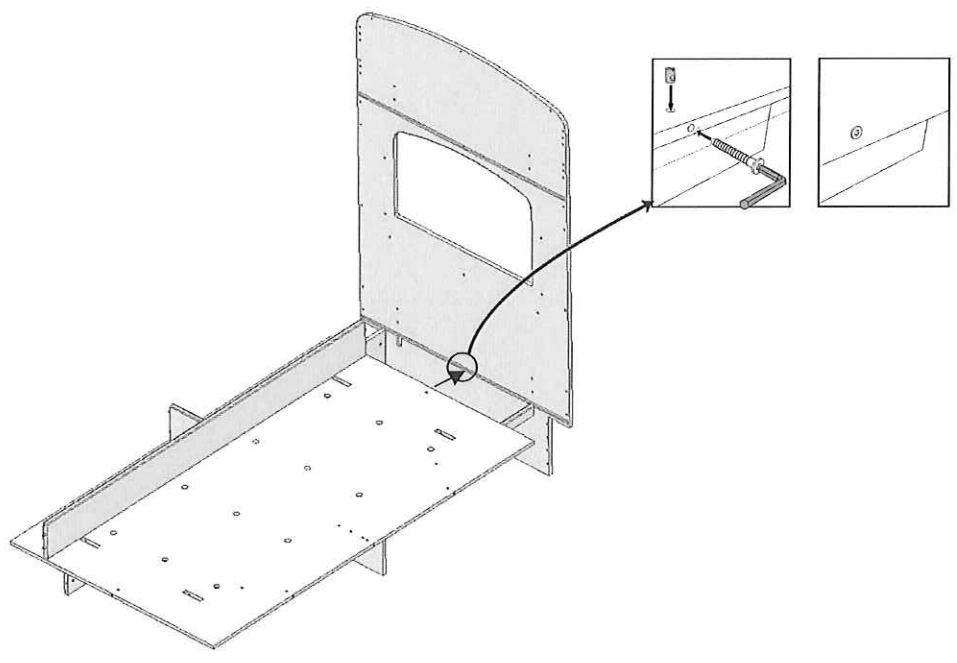
3



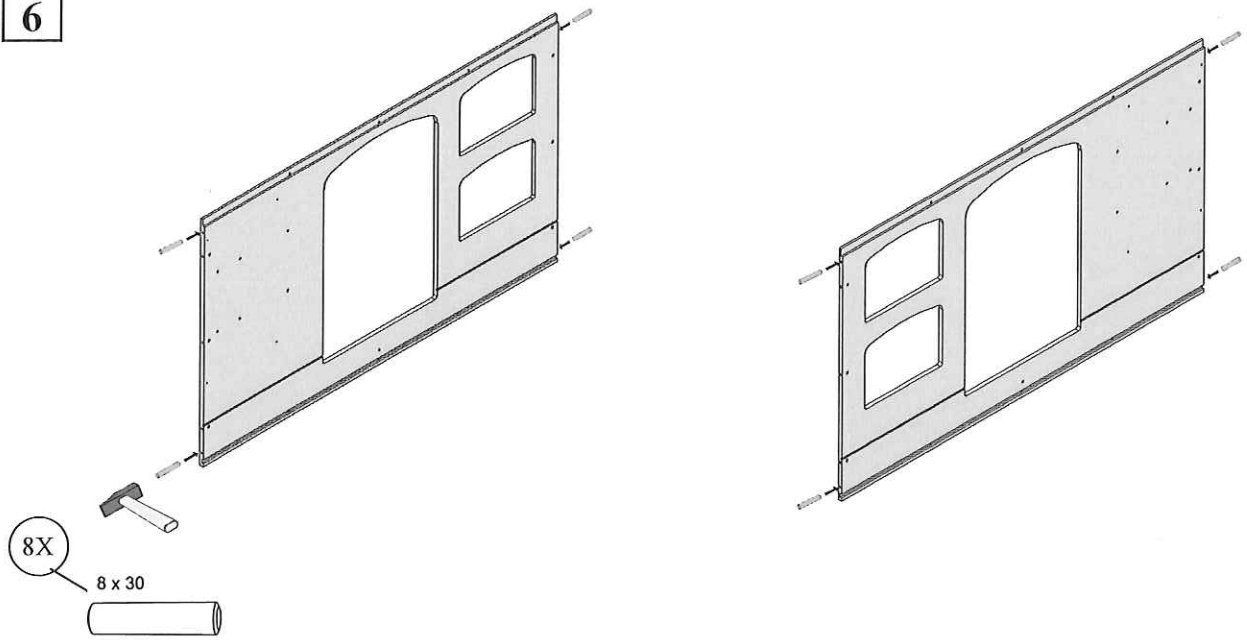
4



5

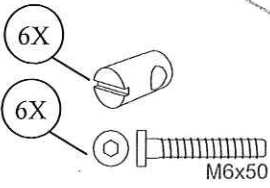
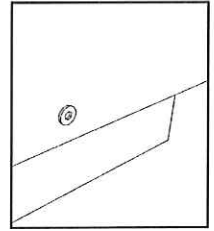
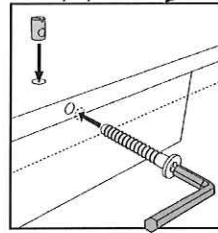
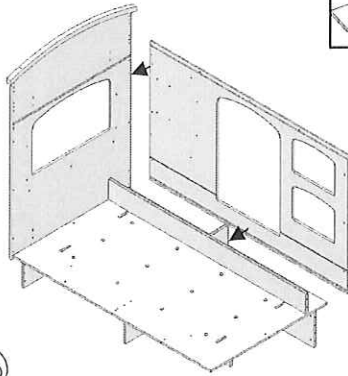
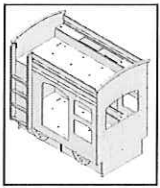
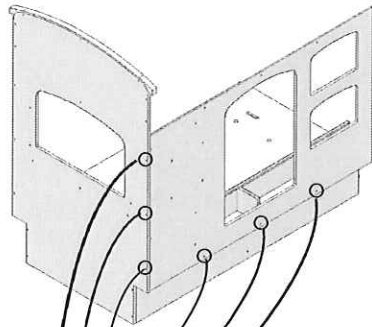
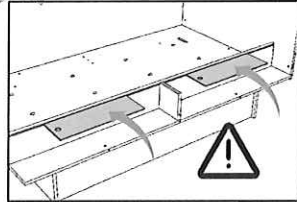
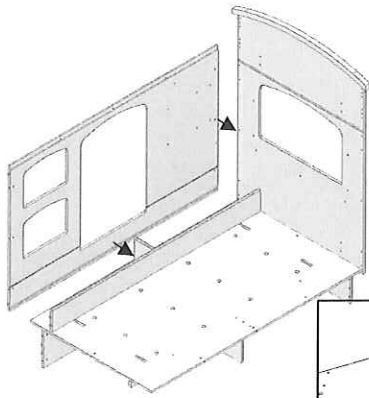
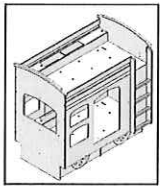


6

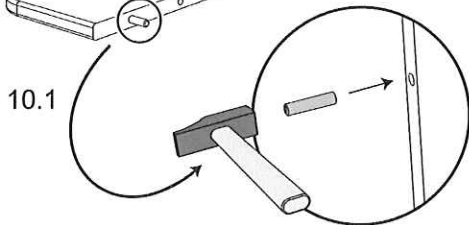
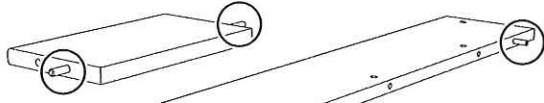
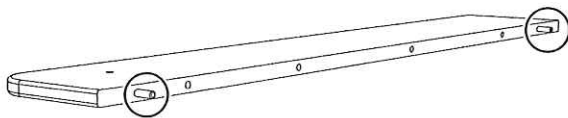




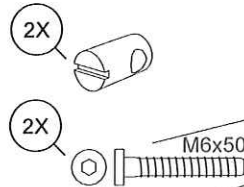
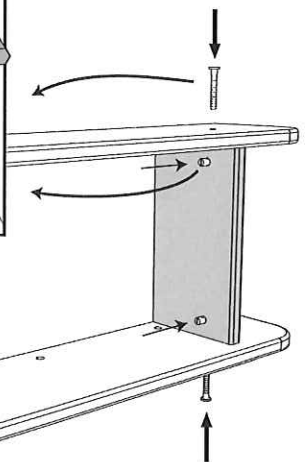
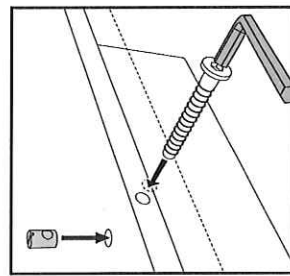
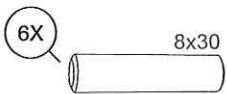
7



8

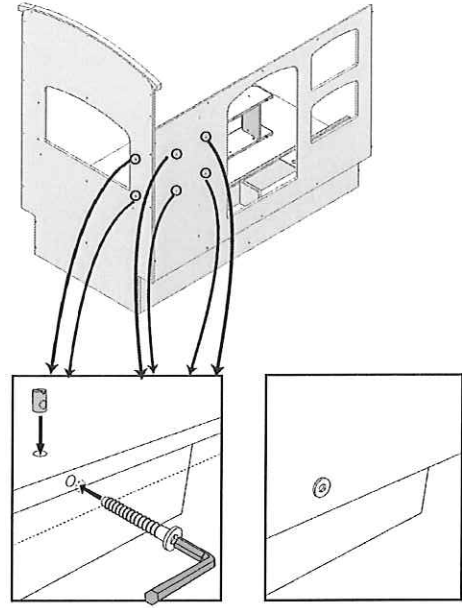
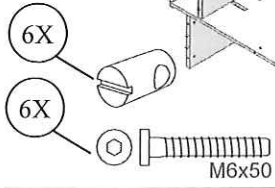
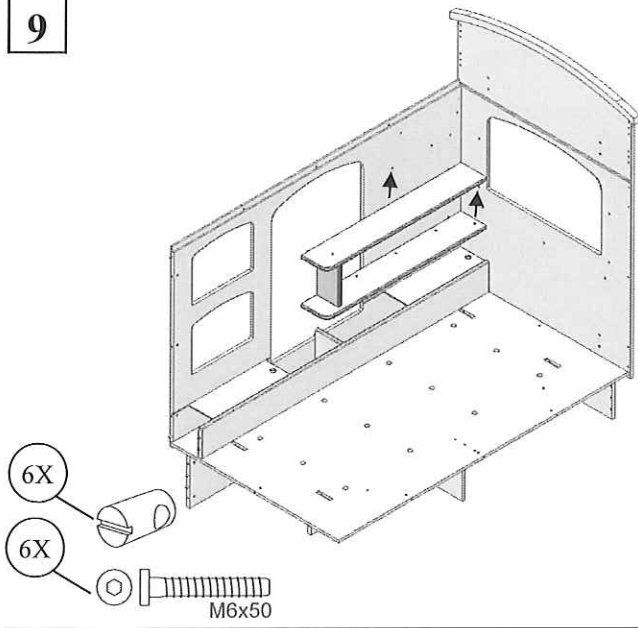


10.1

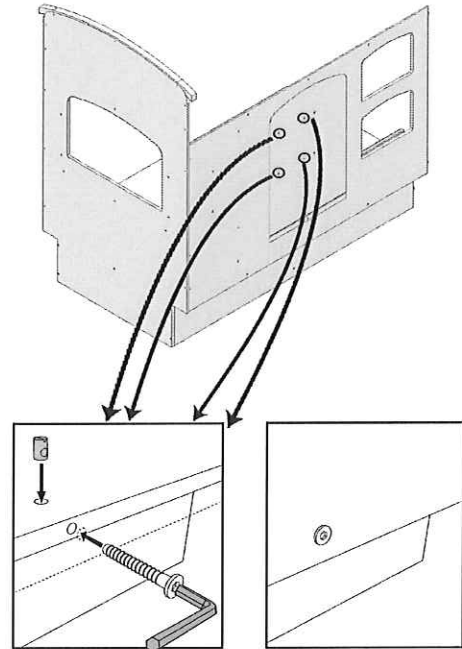
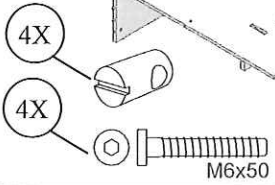
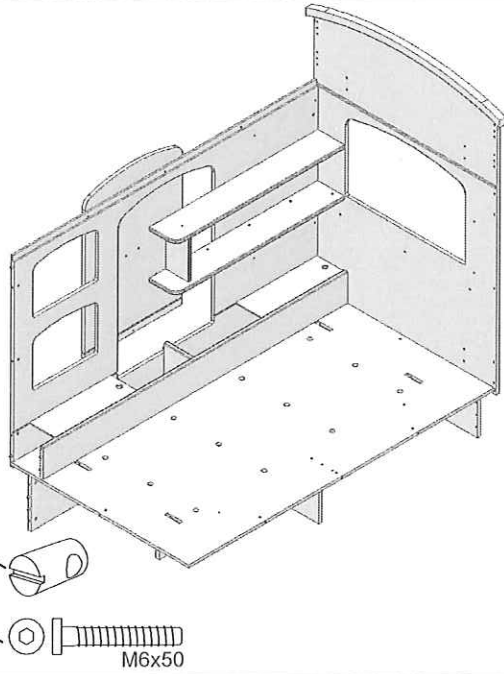




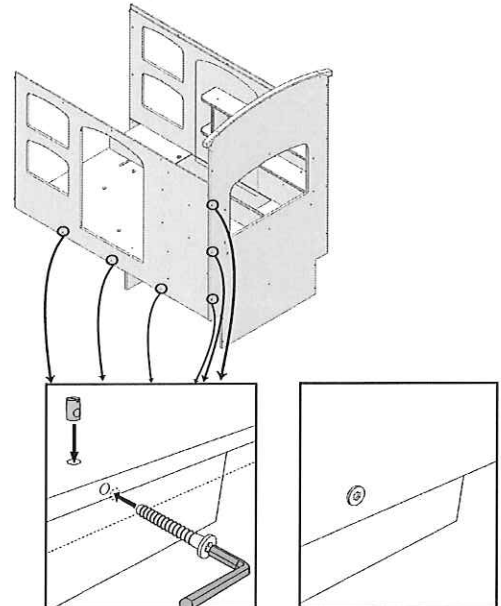
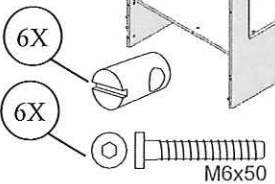
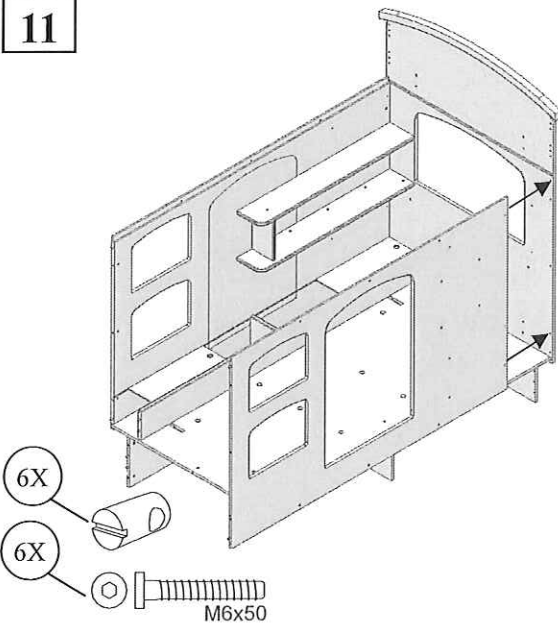
9



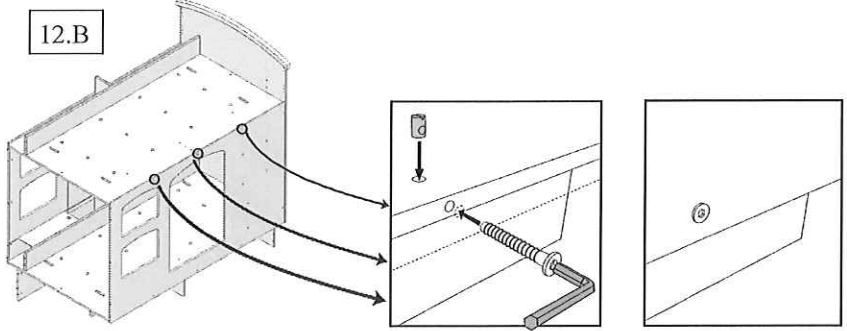
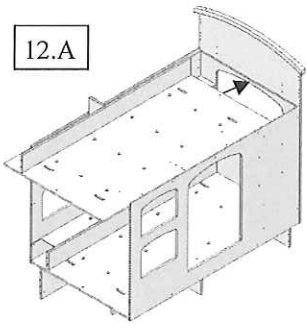
10



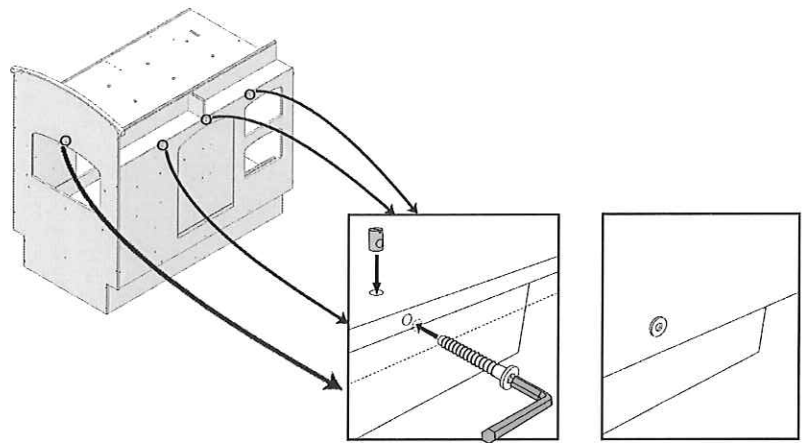
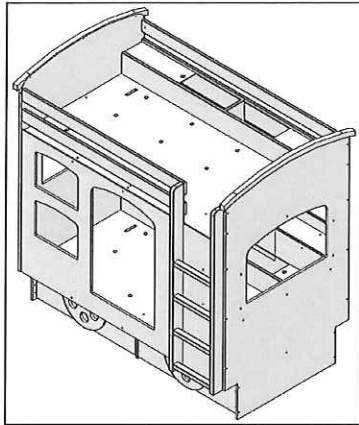
11



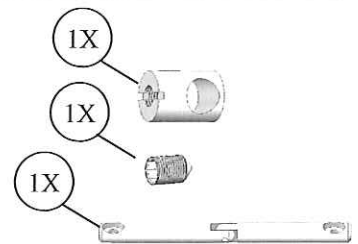
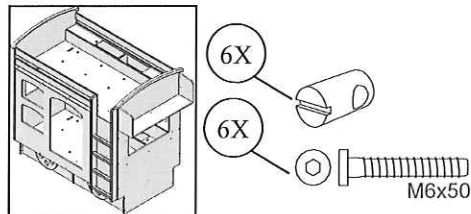
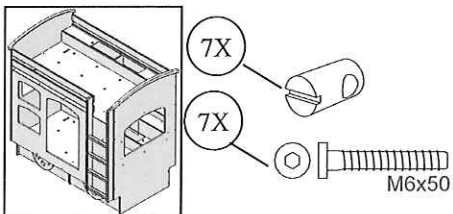
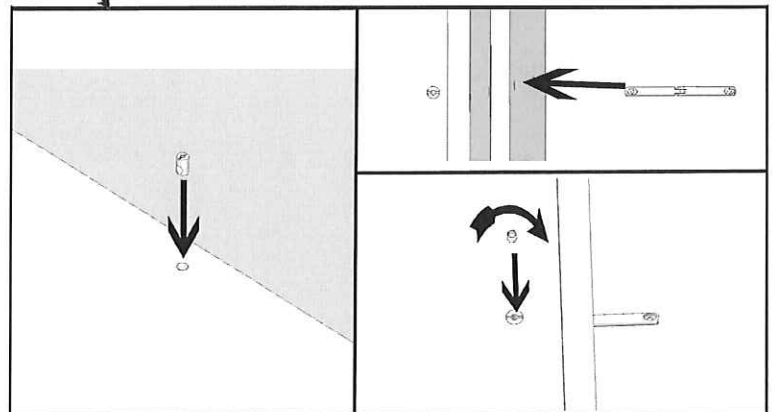
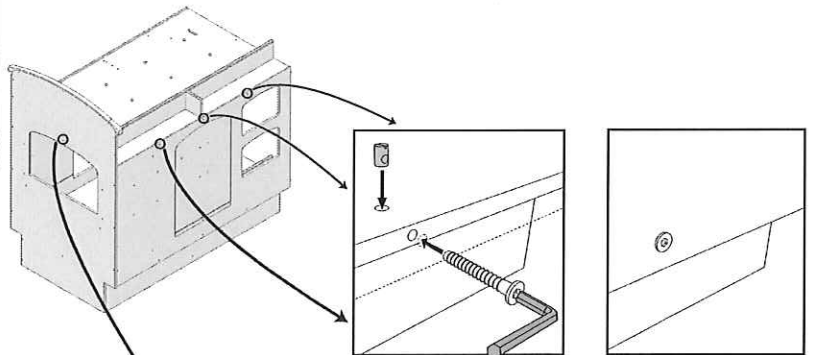
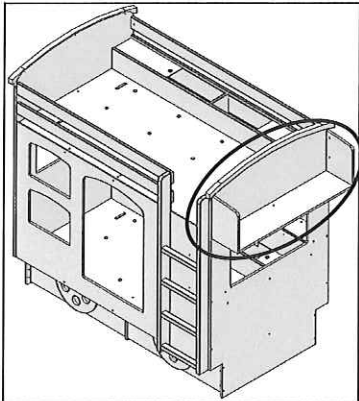
12



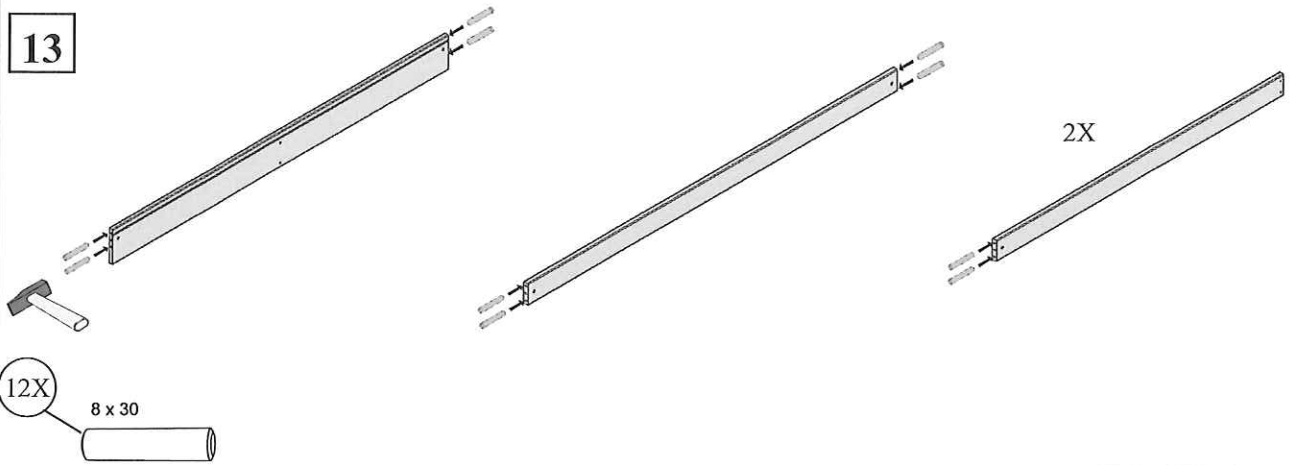
12.C1



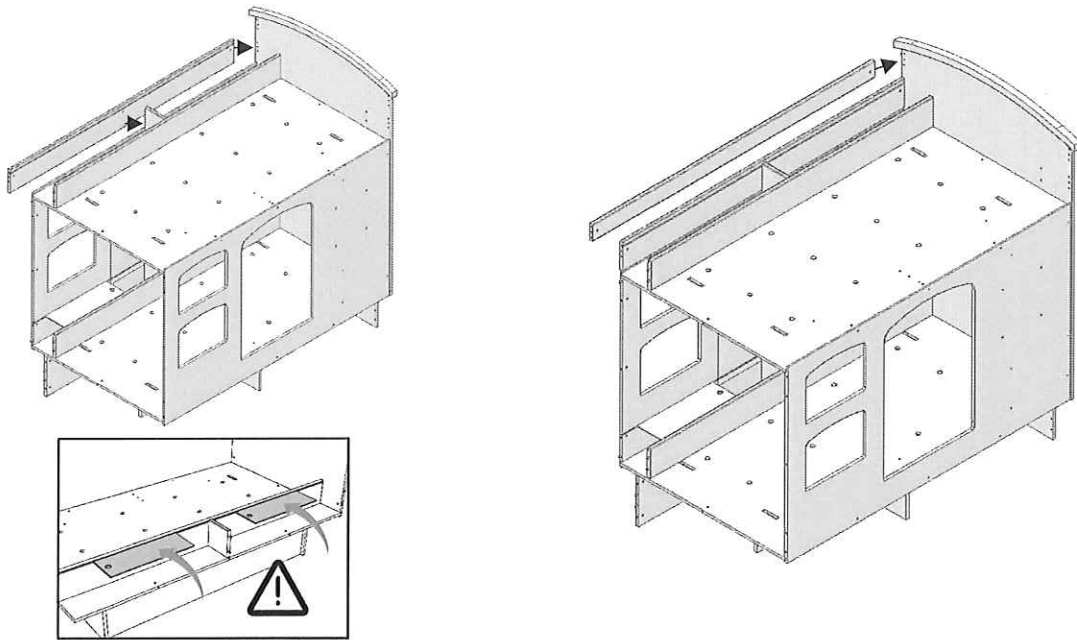
12.C2



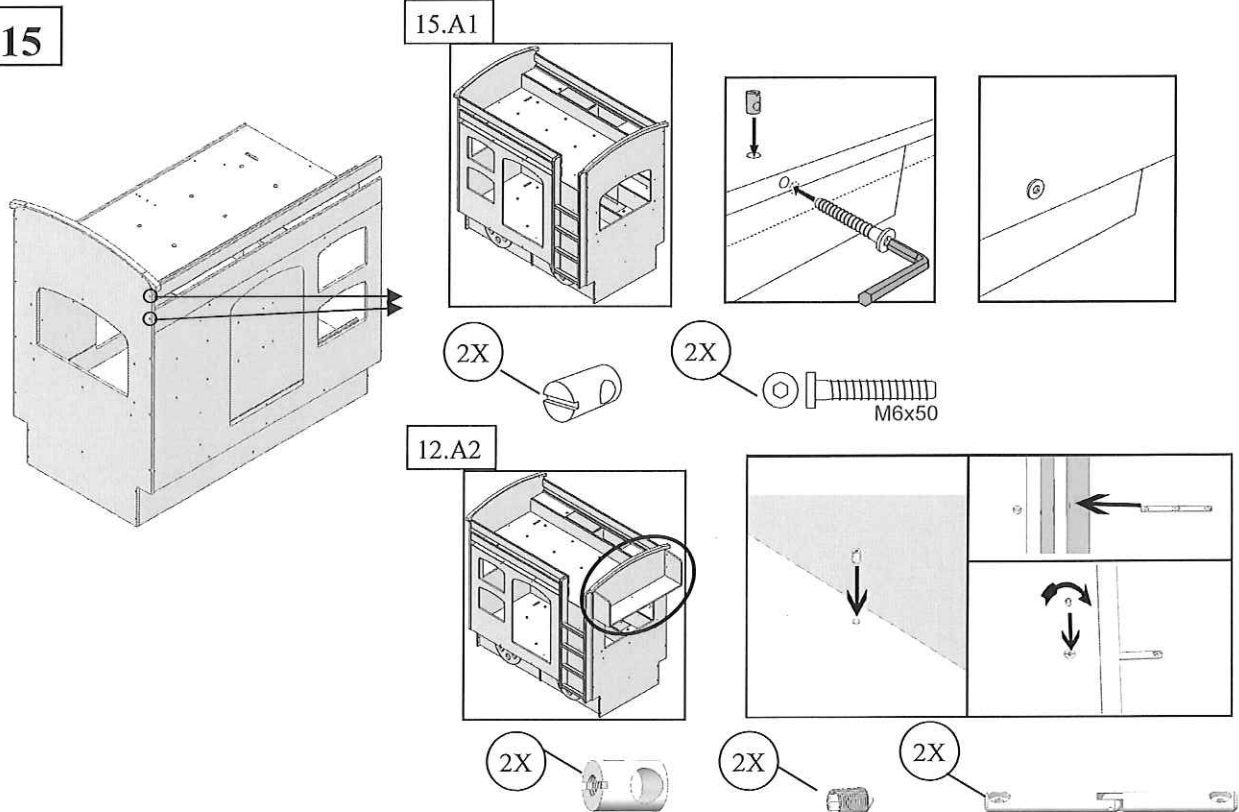
13



14



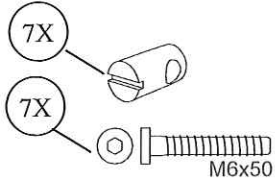
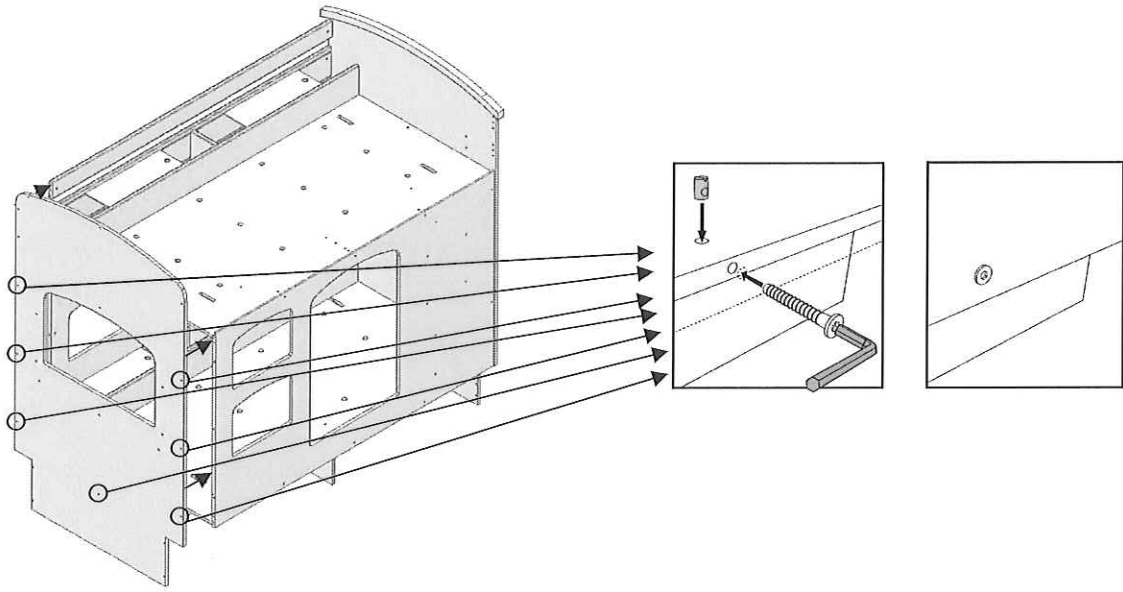
15





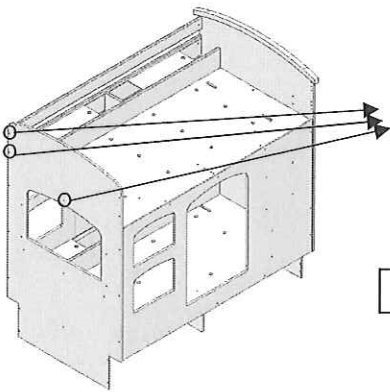
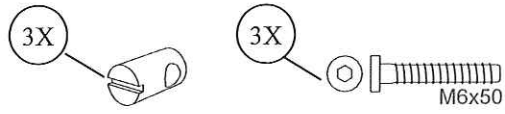
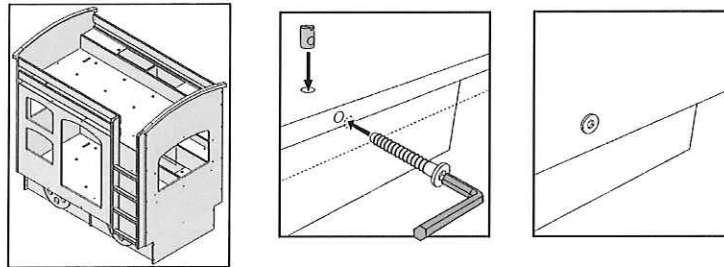


16

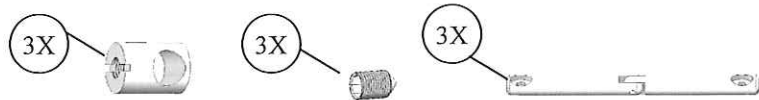
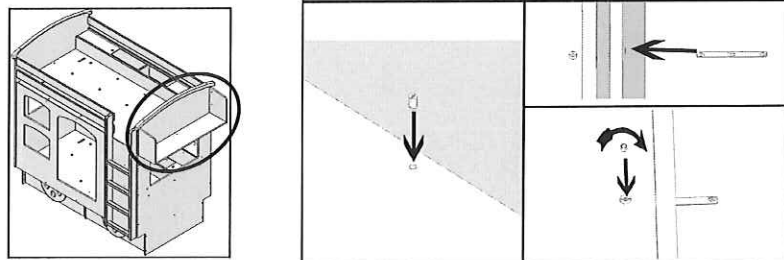


17

17.A1



17.A2

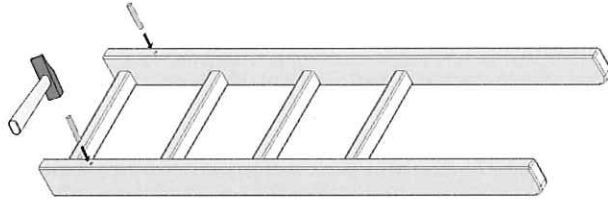




MATHYBYBOLS

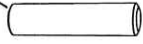
10

18

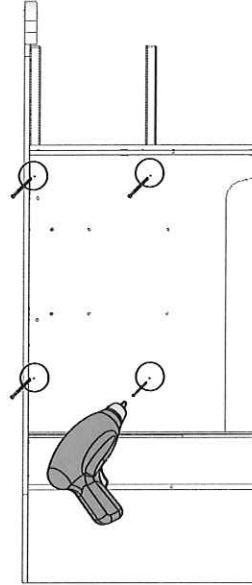
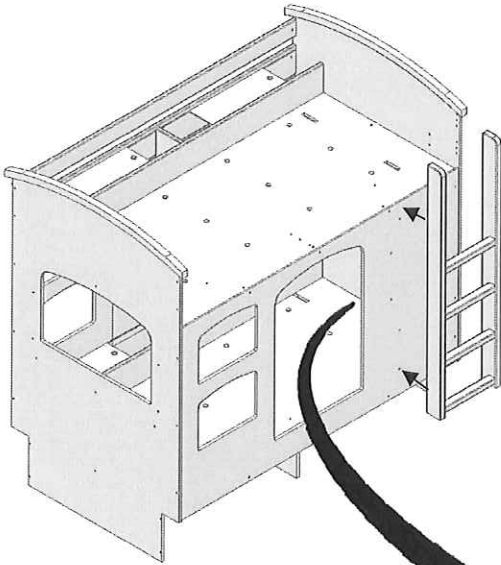


2X

8 x 30

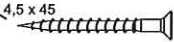


19

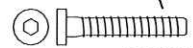
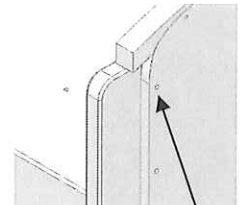
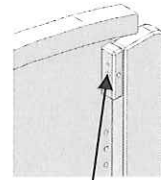
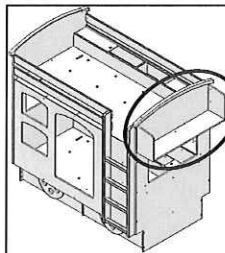
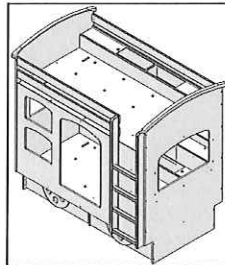
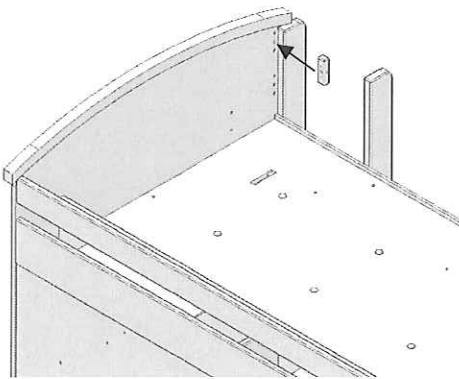


4X

4,5 x 45



20

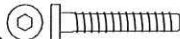


M6x30

1X



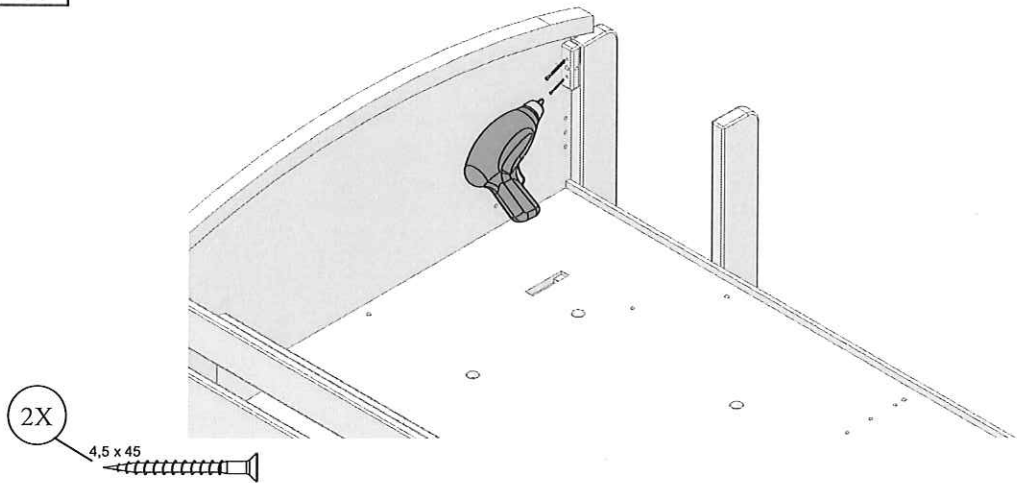
1X



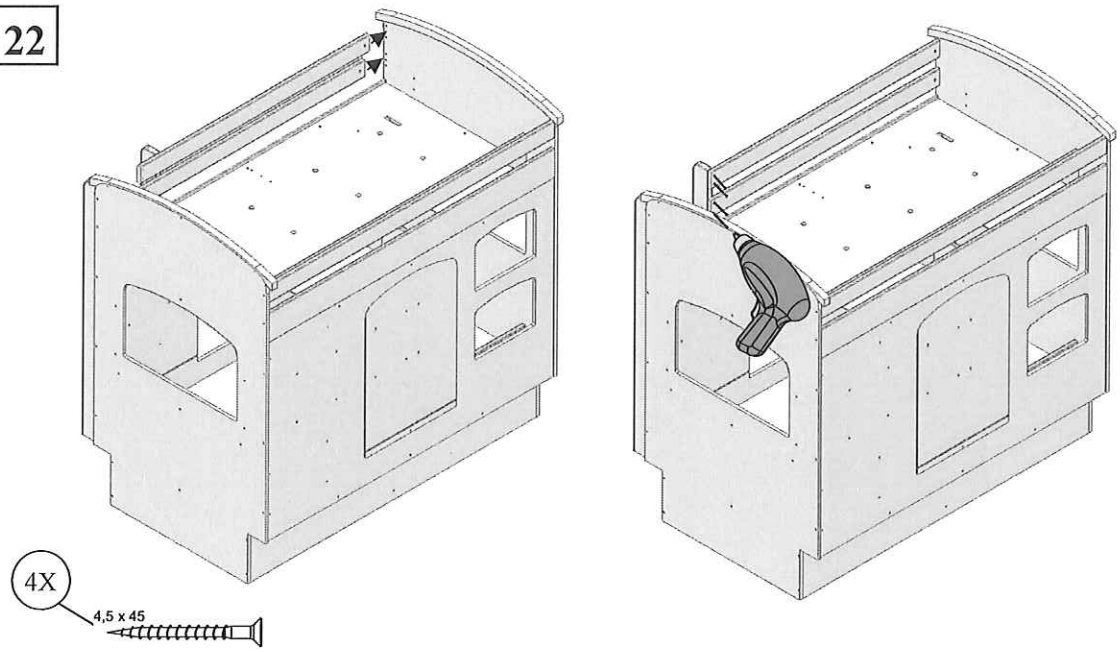
M6x30



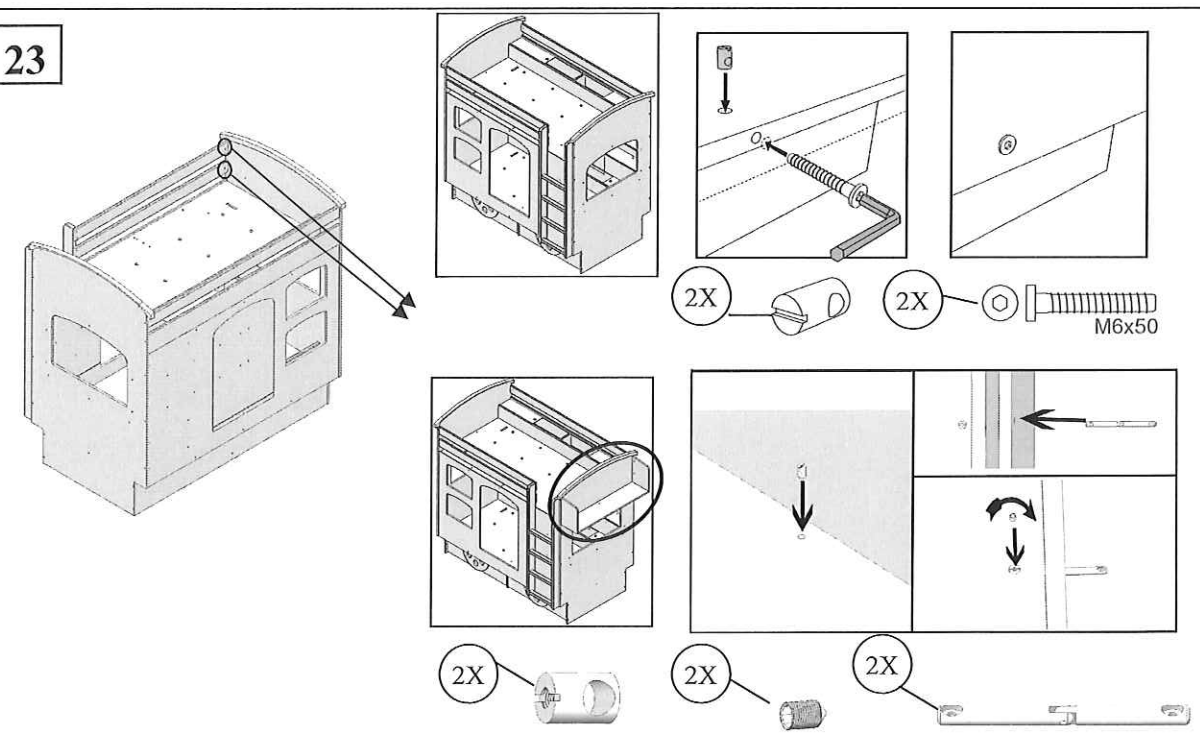
21



22



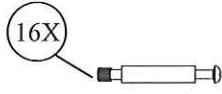
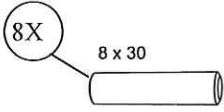
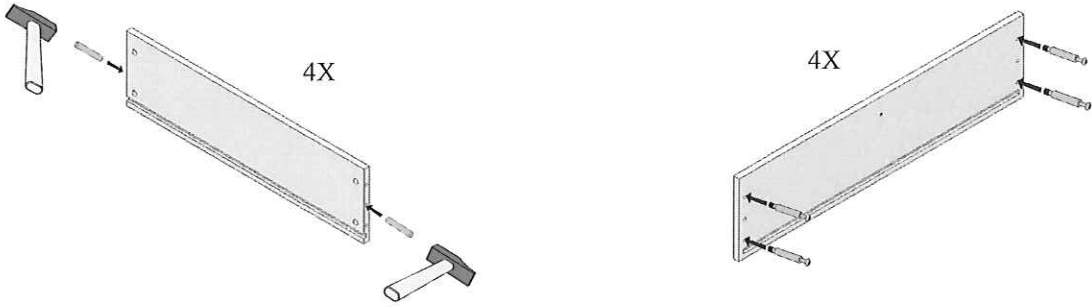
23





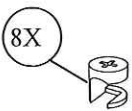
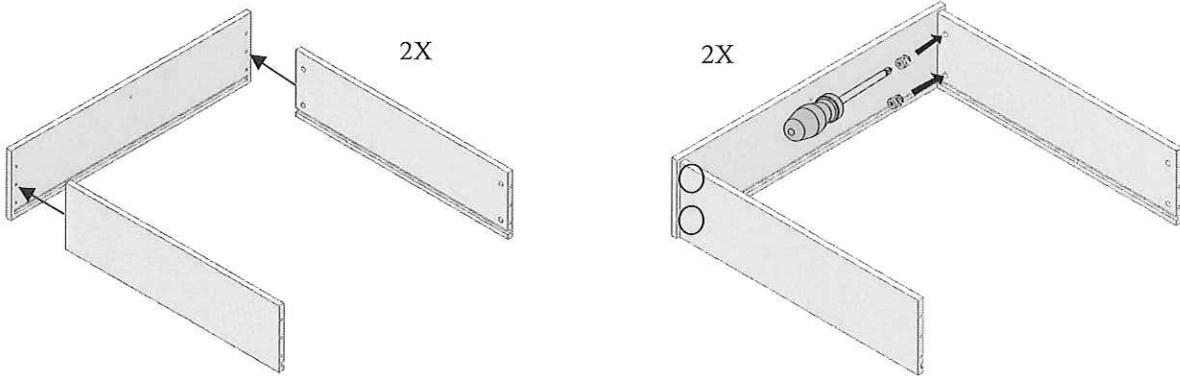
MATHYBYBOLS

24

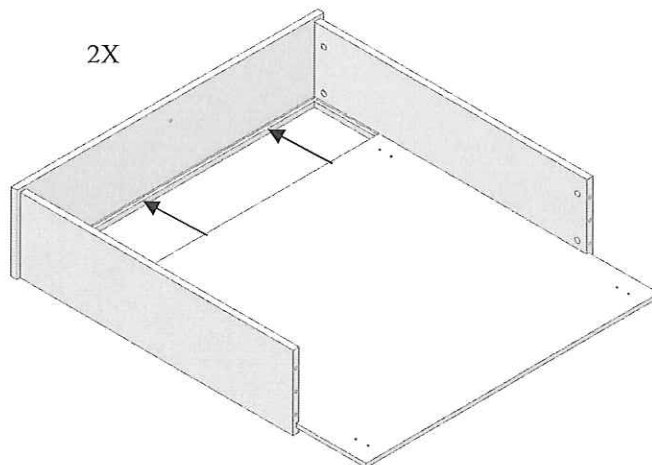


25

12

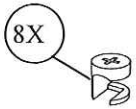
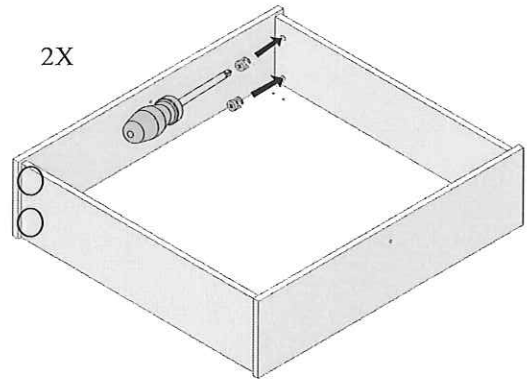
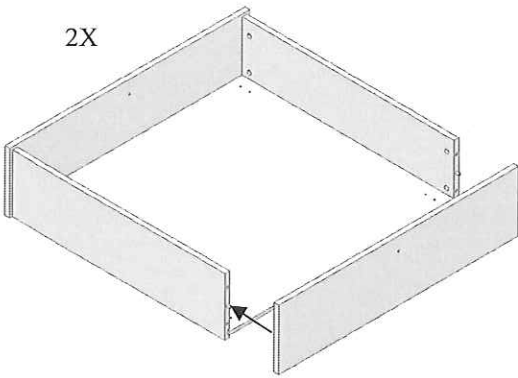


26

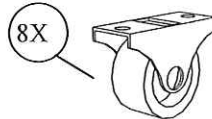
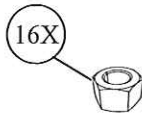
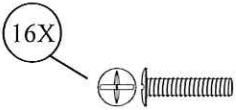
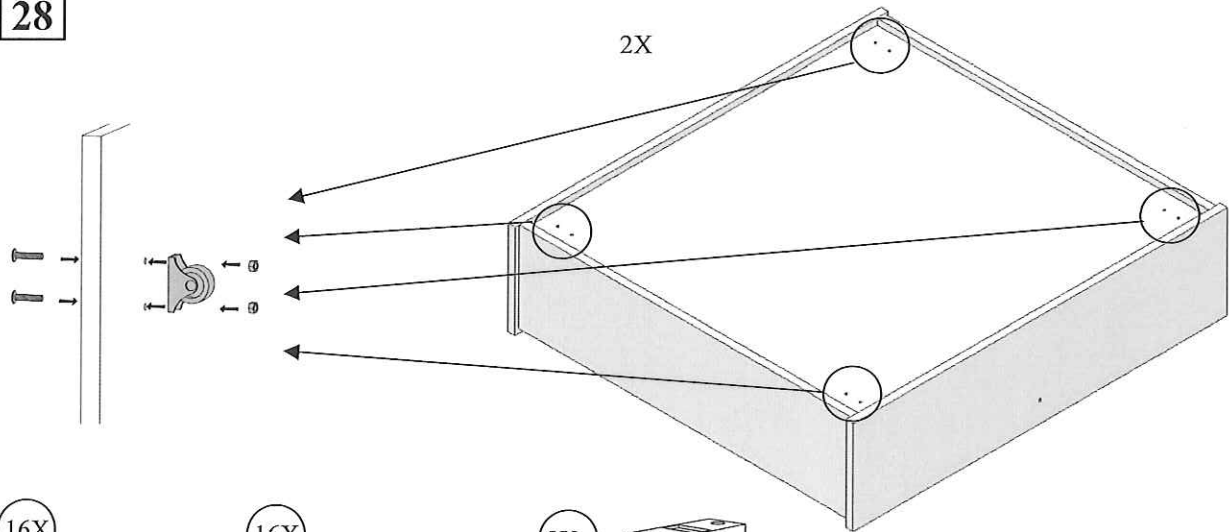




27



28



29

